

1500

MANUAL OR POWER REWIND REELS

To handle single 1/4" through 5/8" I.D. hose.

- Lightweight compact reels designed for long lengths of hose in manual and power rewind.
- Direct crank rewind is permanently attached.
- Chain and sprocket drive powered by electric, hydraulic, or compressed air motor.
- Direct crank rewind, cam lock drag brake, spring actuated pin lock.
- Standard inlet 90° ball bearing swivel joint 1/2" male BSP threads.
- Standard outlet 1/2" male BSP threads.
- Optional Rollers: Specify roller position when ordering.
- Pressures to 3000 psi (207 bar)
- Temperatures from +20° F to +400° F (-7° C to +204° C).
- Consult factory for other pressures & temps.



Power Rewind Standard Configuration Shown

For:

- Lawn Care
- Pest Control
- Pressure Washing
- Agriculture
- Steam Cleaning

Model Number	Hose Capacity of Reel					Approx. Weight Crank Rewind ³		Reel Dimensions***				
	I.D. (in) I.D. (mm)	1/4" 6	3/8" 10	1/2" 13	5/8" 16	NET	SHIP	E CRANK	E POWER	F CRANK	F POWER	X
For Power Rewind See Note 5	O.D. (in) O.D. (mm)	5/8" 16	3/4" 19	7/8" 22	1" 25							
1514-17-18		200 61	150 46	100 30	75 23	27 12	50* 23	16.5 419	19 483	19 483	16.5 419	9.5 241
1520-17-18		425 130	300 91	200 61	150 46	29 13	50* 23	16.5 419	19 483	25 635	22.5 572	15.5 394
1526-17-18		625 191	450 137	325 99	225 69	31 14	50* 23	16.5 419	19 483	31 787	28.5 724	21.5 546
1530-17-18		- -	550 168	400 122	300 91	33 15	50* 23	16.5 419	19 483	35 889	32.5 826	25.5 648
1536-17-18		- -	- -	500 152	375 114	35 16	50* 23	16.5 419	19 483	41 1041	38.5 978	31.5 800

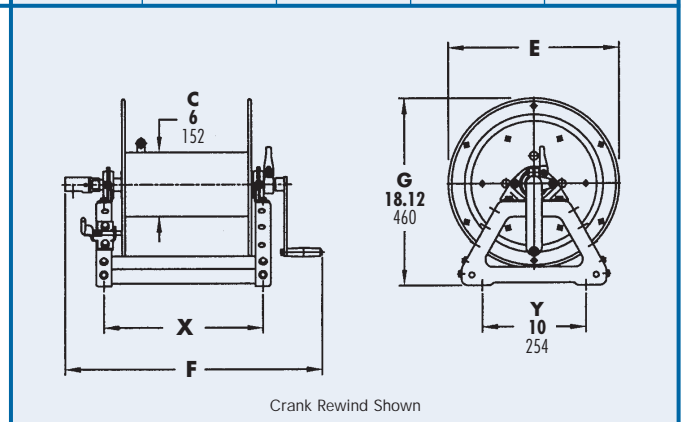
Notes:

1. Specifications subject to change.
2. Upon request, reels can be supplied with drum lengths other than shown.
3. Weights shown in chart are for crank rewind models. ADD these amounts for power rewind models:

	Net (lbs.)	Ship (lbs.)	Net (kg.)	Ship (kg.)
Electric	18	18	8.2	8.2
Hydraulic	15	15	6.8	6.8
Air	15	15	6.8	6.8
4. Dimension "F" is the overall length of standard model reels.
5. When ordering power rewind models, prefix model number with:
 - A = Air Rewind E = Electric Rewind HD = Hydraulic Rewind
 (Air rewind reels are supplied with control valve and hose; 12v and 24v DC rewind reels are supplied with switch and solenoid; 115v AC rewind reels are not supplied with switch but can be ordered separately; hydraulic rewind reels are not supplied with control valve.)
6. For a detailed parts breakdown drawing, request ISO 90.
7. **Finish:** refer to Page 4.
8. **Be sure to check dimensions and weights prior to ordering.**

NOTICE: A Flexible Connector must be used between the inlet pipe and the inlet swivel joint.

* When shipped as a parcel package (via Fed-Ex or UPS Ground).
 *** x,y indicate mounting holes. See page 2



Crank Rewind Shown