

1100

PORTABLE HOSE REELS ON WHEELS

To handle 3/8" through 5/8" I.D. hose.

- Continuous flow reels with swivel joint inlet, fluid hub, outlet riser.
- Comes with cam lock brake.
- Direct crank rewind.
- One-piece foot, rubber tires, and removable steel handlebar.
- Permanently attached crank.
- Standard inlet 90° ball bearing swivel joint 1/2" male BSP threads.
- Standard outlet is 1/2" male BSP threads.
- Prefix GH to model number when ordering garden hose thread, e.g., GH1100.
- Pressures to 3000 psi (207 bar).
- Temperatures from +20° F to +400° F (-7° C to +204° C).

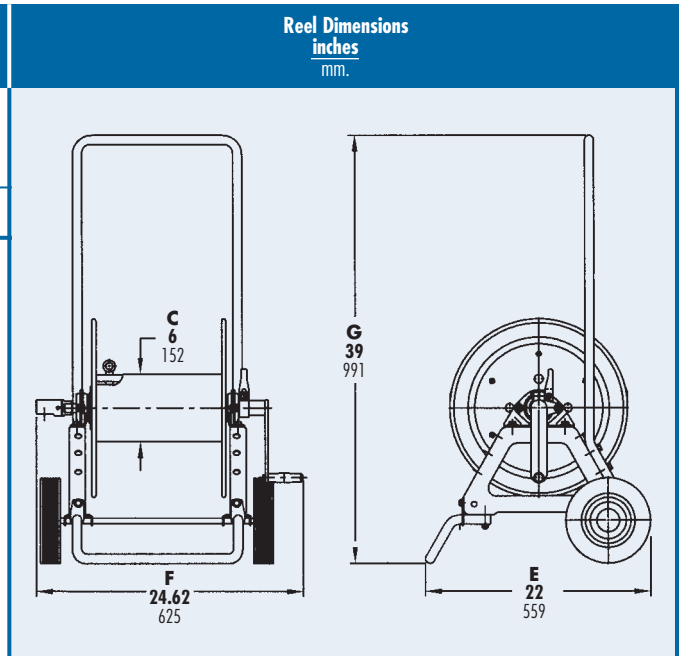


GH 1100 Configuration Shown

For:

- Grounds Maintenance
- Restaurants/Hotels
- Home Use

Model Number	Hose Capacity of Reel				Approx. Weight	
		feet	m.		lb.	kg.
	I.D. (in)	3/8"	1/2"	5/8"	NET	SHIP
	I.D. (mm)	10	13	16		
	O.D. (in)	3/4"	7/8"	1"	NET	SHIP
	O.D. (mm)	19	22	25		
1100		300	200	150	47	50*
		91	61	46	21	23



Notes:

1. Specifications subject to change.
 2. For a detailed parts breakdown drawing, request ISO 48.
 3. **Finish:** refer to Page 4.
 4. **Be sure to check dimensions and weights prior to ordering.**
- * When shipped as a parcel package (via Fed-Ex or UPS Ground).