

# AVVOLGITUBO AUTOMATICI A MOLLA AUTOMATIC HOSE-REELS



**ART. 37115 B**  
**37130 Inox**  
**37120 B**  
**37140 Inox**



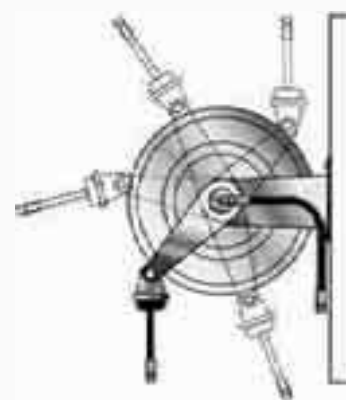
**ART. 36470**  
**37142 Inox**  
**36475**  
**37143 Inox**  
**36200 B**



**ART. 39505**



**ART. 39502**  
**39535**



**Gli avvolgitubi non sono dotati di tubo / Hose-reels are not equipped with hose**

Cod.	Max Press. Bar	Raccordi - Connections		Foro Giunto joint bore mm	Max Ø Tubo Max HoseØ	Max Lung. Tubo mt Max hose length mt				Peso Weight kg	Dimensioni a muro Sizes on the wall			Dimensioni Imballo Packing Sizes			Staffa Gir. Swivel Bracket
		Ent.-Inlet	Usc.-Outlet			3/8"	1/2"	3/4"	1"		L	P	H	L	P	H	
37115 B	600	M 1/2"	M 1/2"	12	1/2"	15	15	-	-	13	25	50	48	26	60	50	39535
37120B	600	M 1/2"	M 1/2"	12	1/2"	20	20	-	-	18	28	50	48	26	60	50	39502
36470	600	M 1/2"	M 1/2"	12	1/2"	35	35	-	-	26	31	59	60	34	61	62	39505
36475	20	M 1"	M 1"	20	1"	35	35	20	-	27	31	59	60	34	61	62	39505
36200 B	20	M 1"	M 1"	20	1"	-	-	13	8	21	29	50	48	26	60	50	39502

**Versione inox / Stainless-steel series**

Cod.	Max Press. Bar	Raccordi - Connections		Foro Giunto joint bore mm	Max Ø Tubo Max HoseØ	Max Lung. Tubo mt Max hose length mt				Peso Weight kg	Dimensioni a muro Size on the wall			Dimensioni Imballo Packing Sizes			Staffa Gir. Swivel Bracket
		Ent.-Inlet	Usc.-Outlet			3/8"	1/2"	3/4"	1"		L	P	H	L	P	H	
37130	200	M 1/2"	M 1/2"	12	1/2"	15	15	-	-	13	25	50	48	26	60	50	39600
37140	200	M 1/2"	M 1/2"	12	1/2"	20	20	-	-	18	28	50	48	26	60	50	39601
37142	200	M 1/2"	M 1/2"	12	1/2"	35	35	-	-	26	31	59	60	34	61	62	39605
37143	20	M 1"	M 1"	20	1"	-	-	20	-	27	31	59	60	34	61	62	39605

# AVVOLGITUBO AUTOMATICI A MOLLA AUTOMATIC HOSE-REELS



**ART. 37115**  
**38200 Inox**  
**37120**  
**38300 Inox**



**ART. 38100**



**ART. 36480**  
**37147 Inox**  
**36485**  
**37148 Inox**

Cod.	Max Press. Bar	Raccordi - Connections		Foro Giunto joint bore mm	Max Ø Tubo Max HoseØ	Max Lung. Tubo mt Max hose length mt				Peso Weight kg	Dimensioni a muro Sizes on the wall			Dimensioni Imballo Packing Sizes			Staffa Gir. Swivel Bracket
		Ent.-Inlet	Usc.-Outlet			3/8"	1/2"	3/4"	1"		L	P	H	L	P	H	
37115	600	M 1/2"	M 1/2"	12	1/2"	15	15	-	-	13	25	55	45	26	60	50	39535
37120	600	M 1/2"	M 1/2"	12	1/2"	20	20	-	-	18	26	55	43	26	60	50	39502
38100	200	M 1/2"	M 1/2"	12	1/2"	20	20	-	-	9	30	39	33	28	33	44	-
36480	600	M 1/2"	M 1/2"	12	1/2"	60	60	-	-	50	59	59	59	-	-	-	-
36485	20	M 1"	M 1"	20	1"	-	-	30	25	50	59	59	59	-	-	-	-

## Versione inox / Stainless-steel series

Cod.	Max Press. Bar	Raccordi - Connections		Foro Giunto joint bore mm	Max Ø Tubo Max HoseØ	Max Lung. Tubo mt Max hose length mt				Peso Weight kg	Dimensioni a muro Sizes on the wall			Dimensioni Imballo Packing Sizes			Staffa Gir. Swivel Bracket
		Ent.-Inlet	Usc.-Outlet			3/8"	1/2"	3/4"	1"		L	P	H	L	P	H	
38200	200	M 1/2"	M 1/2"	12	1/2"	15	15	-	-	13	23	55	43	26	60	50	39600
38300	200	M 1/2"	M 1/2"	12	1/2"	20	20	-	-	18	26	55	43	26	60	50	39601
37144	200	M 1/2"	M 1/2"	12	1/2"	40	-	-	-	36	37	53	55	51	56	61	-
37145	200	M 1/2"	M 1/2"	12	1/2"	-	40	-	-	36	42	53	55	51	56	61	-
37147	200	M 1/2"	M 1/2"	12	1/2"	60	60	-	-	50	59	59	59	-	-	-	-
37148	20	M 1"	M 1"	20	1"	-	-	40	30	51	59	59	59	-	-	-	-



**ART. 35300**  
**35400**



**ART. 36150**  
**38400 Inox**  
**36200**  
**38360 Inox**



**ART. 36100**  
**38361 Inox**  
**36300**  
**37141 Inox**

Cod.	Max Press. Bar	Raccordi - Connections		Foro Giunto joint bore mm	Max Ø Tubo Max HoseØ	Max Lung. Tubo mt Max hose length mt				Peso Weight kg	Dimensioni a muro Sizes on the wall			Dimensioni Imballo Packing Sizes			Staffa Gir. Swivel Bracket
		Ent.-Inlet	Usc.-Outlet			3/8"	1/2"	3/4"	1"		L	P	H	L	P	H	
35300	600	M 1/2"	M 1/2"	12	1/2"	15	15	-	-	-	13	55	45	-	-	-	39502
35400	600	M 1/2"	M 1/2"	12	1/2"	20	20	-	-	-	16	55	45	-	-	-	-
36150	600	M 1/2"	M 1/2"	12	1/2"	20	20	-	-	18	30	55	45	34	61	62	39502
36200	20	M 1"	M 1"	20	1"	-	-	13	8	18	30	55	55	32	53	60	39502
36100	20	M 1"	M 1"	20	1"	-	-	18	15	24	48	53	55	51	56	61	-
36300	600	M 1/2"	M 1/2"	12	1/2"	25	25	-	-	26	37	53	55	32	53	60	-

**Versione inox / Stainless-steel series**

Cod.	Max Press. Bar	Raccordi - Connections		Foro Giunto joint bore mm	Max Ø Tubo Max HoseØ	Max Lung. Tubo mt Max hose length mt				Peso Weight kg	Dimensioni a muro Sizes on the wall			Dimensioni Imballo Packing Sizes			Staffa Gir. Swivel Bracket
		Ent.-Inlet	Usc.-Outlet			3/8"	1/2"	3/4"	1"		L	P	H	L	P	H	
38400	200	M 1/2"	M 1/2"	12	1/2"	20	20	-	-	18	30	55	45	32	53	60	39601
38360	20	M 1"	M 1"	20	1"	-	-	13	8	18	30	55	55	32	53	60	39601
38361	20	M 1"	M 1"	20	1"	-	-	18	15	24	48	53	55	51	56	61	39602
37141	200	M 1/2"	M 1/2"	12	1/2"	25	25	-	-	26	37	53	55	51	56	61	39605

# AVVOLGITUBO AUTOMATICI A MOLLA AUTOMATIC HOSE-REELS



**ART. 36400**  
**37146 Inox**

50 mt.



**ART. 36490 TIPO MAGGY**  
con guidatubo automatico  
e tubo.

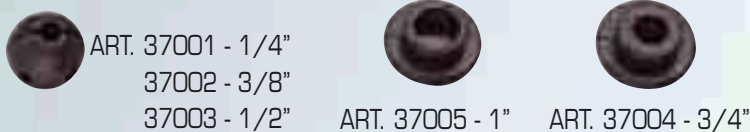
*With automatic hose driver  
and hose*

Cod.	Max Press. Bar	Raccordi - Connections		Foro Giunto joint bore mm	Max Ø Tubo Max HoseØ	Max Lung. Tubo mt Max hose length mt				Peso Weight kg	Dimensioni a muro Size on the wall			Dimensioni Imballo Packing Sizes			Staffa Gir. Swivel Bracket
		Ent.-Inlet	Usc.-Outlet			3/8"	1/2"	3/4"	1"		L	P	H	L	P	H	
36400	20	M 1"	M 1"	20	1"	-	-	30	25	40	52	53	55	54	56	61	-
36490	200	M 1/2"	M 1/2"	1	1/2"	50	50	-	-	50	60	60	60	-	-	-	-

Versione inox / Stainless-steel series

37146	20	M 1"	M 1"	20	1"	-	-	30	25	40	52	53	55	54	56	61	-
-------	----	------	------	----	----	---	---	----	----	----	----	----	----	----	----	----	---

## GIUNTI E TUBI / JOINTS AND HOSES



**Tabella codifica giunti girevoli**  
Swivel joints guide

Art.	Conn.	P.max.	T.max.	Guarnizione Seal	Mat. giunto Mat. Joint	Ø utile Usable bore
9951	1/2" M	600 bar	40° C	P	X	10 mm
9952	1/2" M	600 bar	40° C	P	X	12 mm
9963	1/2" M	200 bar	150° C	E	Y	10 mm
9965	1/2" M	200 bar	80° C	V	Y	10 mm
9966	1/2" M	600 bar	40° C	P	Y	10 mm
9970	1" M	100 bar	40° C	P	Y	20 mm
9972	1" M	100 bar	150° C	E	Y	20 mm

P = Poliuretano  
Polyurethane  
E = EPDM  
V = Vitor®  
X = Acciaio zincato  
Zinc. plated steel  
Y = Acciaio Inox  
Stainless Steel

## TUBI PER OLIO E GRASSO / HOSES FOR OIL AND GREASE

ART.	Ø	OLIO OIL	LUNGHEZZA LENGHT	ART.	Ø	GRASSO GREASE	LUNGHEZZA LENGHT
31002	1/2	R1	2	81001	1/4	R2	1,5
31003	1/2	R1	3	81003	1/4	R2	3
31004	1/2	R1	4	81005	1/4	R2	5
31005	1/2	R1	5	81010	1/4	R2	10
31007	1/2	R1	7	81015	1/4	R2	15
31010	1/2	R1	10	81020	1/4	R2	20
31015	1/2	R1	15				
31020	1/2	R1	20				