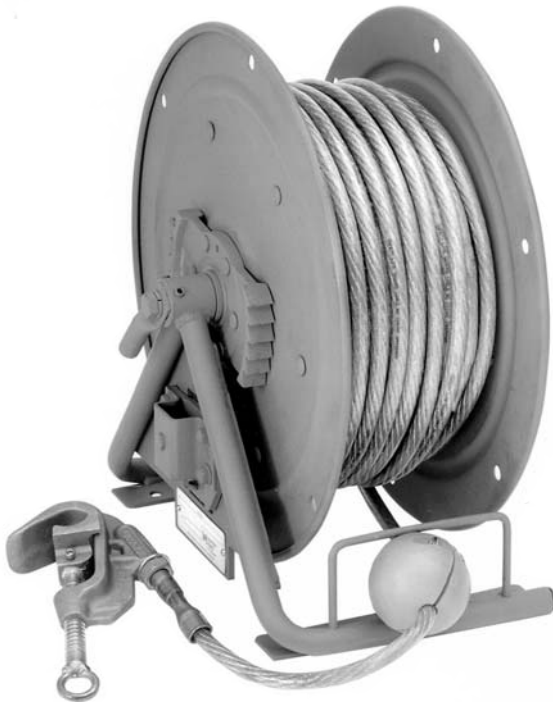


Utility Grounding Reels

HANNAY TRUCK GROUNDING REELS

- Easy cable pay-out.
- Quick and convenient rewind gets you back in service fast.
- Heavy-duty steel construction stands up to demanding field use.

- Independently tested to 15kA for 30 cycles.*
- Bolt-down design.
- Manual or Automatic Spring Rewind available.
- Helps meet OSHA requirements for vehicle grounding.**
- Supplied with or without optional cable & clamp.



Model SGCR 10-17-19
Spring Rewind

Standard Configuration Shown
with optional cable & clamp



Model GCR 10-17-19
Manual Rewind

Standard Configuration Shown



For use on:

- Construction Vehicles
- Maintenance Vehicles
- Utility Vehicles
- Rescue & HazMat Vehicles

* The rating of 1/0 ground cable is 15kA for 30 cycles. The use of 2/0 and 4/0 cable is not recommended, since the fault duty rating of these cables exceeds that of the truck grounding reel. Refer to ASTM 855-90, standard specification for Temporary Grounding Systems, for more information.

** OSHA Subpart V, Section 1926.952 requires grounding of vehicles working near energized lines or equipment. Hannay grounding reels help meet this requirement and encourage crew compliance by providing a simple, efficient method of handling heavy grounding cable.

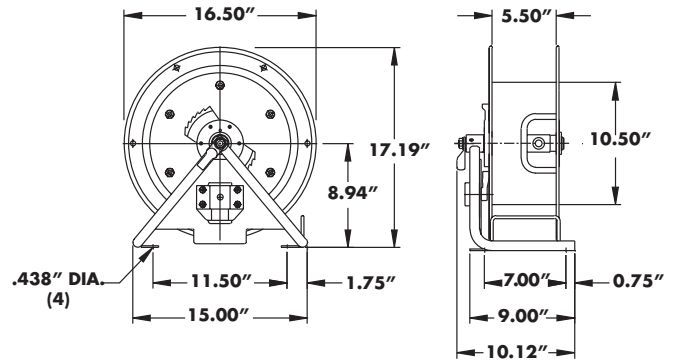
SGCR/GCR/GC

Model SGCR 10-17-19 Spring Rewind Grounding Reel

- Fast, convenient automatic spring rewind.
- A ratchet mechanism locks the reel.
- Built-in cable hoop.
- Internal rotary device.
- Parts list drawing, request ISO 95.



Standard Configuration
Shown with optional
cable & clamp

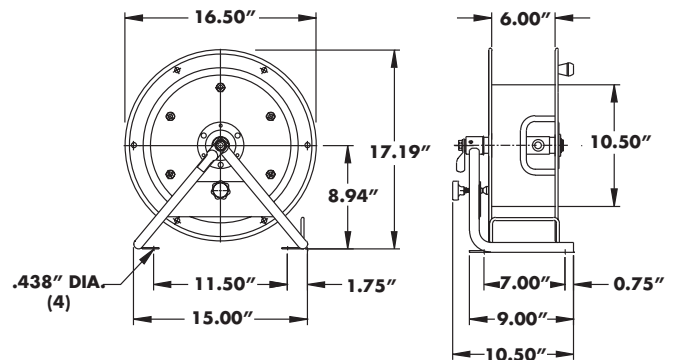


Model GCR 10-17-19 Manual Rewind Grounding Reel

- Offers manual rewind with a hand crank permanently attached to the disc.
- An internal rotary device.



Standard Configuration
Shown



Model GC 10-17-19 Manual Storage Reel (Not Shown)

- "STORAGE ONLY"
- Manual rewind with a hand crank permanently attached to the disc.

Model Number	Cable Capacity of Reel <small>feet</small> <small>m.</small>		Approx. Weight <small>lb.</small> <small>kg</small>	
	Gauge of Conductor		NET (less cable)	SHIP (less cable)
	#2 0.53 O.D. (in) 13.5 O.D. (mm)	1/0 0.64 O.D. (in) 16.2 O.D. (mm)		
SGCR 10-17-19	75 22.9	60 18.3	62 28	78 35
GCR 10-17-19	150 45.7	85 25.9	30 14	36 16
GC 10-17-19	150 45.7	85 25.9	28 13	34 15

***Note:**

If shipping reel with cable, add 16 lbs for packaging, plus weight of cable.

Cable Weights: #2 gauge = .3 lb/ft
1/0 gauge = .5 lb/ft

To Order (Specify all items listed):

- Cable gauge, length, and O.D.
 - Complete model number
- Reels can be shipped as a parcel package (via FedEx or UPS ground).



553 State Route 143
Westerlo, NY 12193-0159
Telephone 518-797-3791
Toll Free 1-877-GO REELS (467-3357)
FAX 1-800-REELING (733-5464) USA
FAX 1-518-797-3259 (International)
Website: www.hannay.com
E-mail: reels@hannay.com