

FAMILY OWNED AND OPERATED SINCE 1933



Hannay Reels®
The reel leader.

Rescue Reels



The
Hannay
Way

Haz-mat Situations • Vehicular Extractions
At-the-scene Emergencies • Breathing and Utility Air Applications

www.hannay.com

Pride in workmanship • Reels built to order • Consistent quality • Service with integrity • Value for your dollar

HOW TO ORDER REELS

Hannay Reels Order Worksheet

To order Hannay Reels, fill out this simple form (or a photocopy) and mail or fax to your Hannay Reels dealer.

1. Who's the reel for?

Company _____	Street Address _____		
Division _____	City _____	State _____	Zip _____
Contact _____	(_____) _____	Country _____	/ / _____
	Telephone _____	Fax _____	Date _____

2. What is the reel for?

HOSE (check one):

Live Storage only Single hose Dual hose

Inside diameter: _____

Outside diameter: _____

Bend radius: _____

Hose length: _____

Hose weight: _____

Flat hose dimensions: _____

Coupling spacing: _____

Type of product handled live application (check one):

Liquid (specify type): _____

Gases (specify type): _____

Oxygen/Acetylene: _____

Other (specify type): _____

Hydraulic fluid (specify type): _____

Temperature: _____

Pressure: _____

CABLE (check one):

Live Storage only

No. of conductors required: _____

Outside diameter: _____

Bend radius: _____

Reel inlet type (check one):

90° Straight

Special material (internal hub assembly)

Aluminum Malleable iron Stainless steel Steel

Connector size: _____

Reel outlet type (riser):

Size: _____

Thread (check one):

National Pipe Thread (NPT)

Joint Industry Committee (JIC)

National Standard Thread (NST)

British Standard Pipe (BSP)

Other _____

Indicate your special specifications _____

Cable length: _____

Number of Connectors: _____

Cable weight: _____

Amperage (live application only): _____

Voltage: _____

3. What features does the reel need?

Check type of rewind:

MANUAL

Disc rewind (hand over hand) Gear-drive crank

Direct crank (permanent or removable) Chain-drive crank

POWER

Spring Electric (voltage: _____)

Air Hydraulic

Check type of installation:

Floor Wall Overhead Vehicle

Temperature Range: _____

Environment: _____


Accessories (if any): _____

Finish (if other than standard): _____

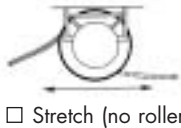
Roller Assemblies: _____

Hose/Cable Stop: Yes No Specify Hose/Cable O.D. _____


Check type of installation and roller position (for spring reels only):



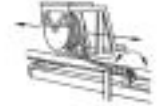
Lift



Stretch (no roller)



Drag



Recovery/Pick-up
No roller

Roller

Position VR

Position SR

Position TR

Constant tension

4. Please note size and/or weight limitations for your installation

Length _____ Width _____

Height _____ Weight _____

For custom applications not found in our catalogs, call the Inside Sales Group at (518) 797-3791.

INTRODUCTION

Hannay's Rescue Reels come to the rescue in emergency situations.

In rescue operations your response time can save lives because a few seconds lost can make all the difference.

With Hannay's Rescue Reels by your side, you'll be able to respond quickly, safely, and efficiently. So when every second counts, don't waste any time fighting with your hose or power cable.

The F1500 hose reel is a rugged, but lightweight reel that's ideal for utility air or breathing air when specified. The CR1600 handles live electric cable and is invaluable when you need power at the scene of an emergency.

And the durable F2000 dual-hose reel is unsurpassed in rescue situations that require hydraulic hose for power tools such as cutters, spreaders, or jacks.

Rescue and emergency operations are never easy jobs. You can rely on Hannay's Rescue Reels to never fail you when the pressure is on.

To order any Hannay Reel in this brochure, use the specifications listed here in conjunction with our Ordering Accessory Guide.

Hose and Cable Packages

Hannay Reels Packages provide you with the primary rescue hose and cable reels that are required on today's rescue vehicles. All three models are specified below and are available complete with hose and cable. Hannay Reels offers a broad selection of hose fittings and cable connectors to meet your requirements.

Our Standard Package is listed below; if you require a different model, other specifications, or optional accessories, please indicate your needs under Customized Package Options. After you fill out your custom package requirements, refer to our Ordering Accessory Guide to place your order, or call Hannay Reels Inside Sales Group.

Standard Package

1. Series F1500

Consists of EF1514-17-18, 12v motor, 1/2" FNPT outlet riser, 1/2" F NPT inlet swivel, painted silver. *(Above reel for utility air only - see model designations on page 3 for applications).*

Customized Package Options

Model No. _____
Motor Voltage 12v _____ 24v _____
Hose Capacity _____
Low Pressure Utility Air Hose 3/8" x 300 psi
Low Pressure Breathing Air Hose 3/8" x 250 psi
High Pressure Breathing Air Charging Hose
1/4" x 6,000 psi
Rollers _____
Hose Stop _____
Polished Finish _____

2. Series CR1600

Consists of ECR1616-17-18, 12v motor, 3 conductor, 45 amp collector assembly, painted silver.

Model No. _____
Motor Voltage 12v _____ 24v _____
Cable Capacity _____
Wire gauge/# of conductors _____
Cable Color: S00W Black
S00W Yellow
Cable end connector: Female Straight
Female Twistlock
None
Rollers _____
Hose Stop _____
Polished Finish _____

3. Series F2000

Consists of EF2016-17-18, 12v motor, specify outlet risers, 1/4" F NPT inlet swivels, painted silver *(For appropriate fittings, seals and hose packages, the rescue tool manufacturer must be specified).*

Model No. _____
Motor Voltage 12v _____ 24v _____
Tool Manufacturer _____
Outlet Riser Fittings: - 4 Male JIC
- 5 Male JIC
- 6 Male JIC
1/4" Male BSP
Male M14 x1.5
Hose Capacity _____
Hose Packages (See Price List) _____
Rollers _____
Hose Stop _____
Polished Finish _____

Note: Models other than those listed may be specified by giving information under "Customized Package Options" for each reel.

F1500

FOR UTILITY OR BREATHING AIR HOSE

To handle 1/4", 3/8" and 1/2" I.D. hose.



Optional hose package Shown

- Choose permanent crank rewind or chain & sprocket drive powered by an electric or compressed air motor.
- Spring actuated pinlock, adjustable cam-lock drag brake on crank rewind models.
- **90° ball bearing swivel joint, 1/2" female NPT threads.
- **Outlet 1/2" female NPT threads.
- Other sizes/threads can be furnished and must be specified.
- Rollers and roller mounting brackets are accessory items. Specify roller position.
- Standard finish is oven-cured enamel. Polished stainless steel discs and sprocket with chrome frame extra cost.
- F and FL1500 reels pressures to 3000 psi (207 bar)
- FH1500 reels pressures up to 6000 psi (414 bar).
- Temperatures from +20°F to +400°F (-7°C to +204°C).

Parts Drawing – ISO 90

Model Number	Hose Capacity of Reel				Approx. Weight		Reel Dimensions***						
	feet				Crank Rewind		inches						
	m.				lb.		mm.						
For Power Rewind See Note 3	I.D. (in)	1/4"	3/8"	1/2"	NET	SHIP	A	B	E CRANK	E POWER	F CRANK	F POWER	X
	I.D. (mm)	6	10	13									
	O.D. (in)	5/8"	3/4"	7/8"									
	O.D. (mm)	16	19	22									
F1514-17-18	175	125	75	27	36*	11	6	16.5	19	19	17.25	9.5	
	53	38	23	12	16	279	152	419	483	483	483	241	
F1516-17-18	250	175	125	28	35*	13	8	16.5	19	21	19.25	11.5	
	76	53	38	13	16	330	203	419	483	533	489	292	
F1520-17-18	350	275	175	29	36*	17	12	16.5	19	25	23.25	15.5	
	107	84	53	13	16	432	305	419	483	635	591	394	

Notes:

Specifications subject to change.

1. Upon request, reels can be supplied with drum lengths other than shown and with disc sizes in other diameters.
2. Weights shown in chart are for manual rewind models. Add these amounts for power rewind models.

	Net (lbs.)	Ship (lbs.)	Net (kg.)	Ship (kg.)
Electric	18	18	8.2	8.2
Air	15	15	6.8	6.8

3. When ordering power rewind models, prefix model number with:

A = Air Rewind E = Electric Rewind
 (Air rewind reels are supplied with control valve and hose; 12v and 24v DC rewind reels are supplied with switch and solenoid.)

4. Model Designations:

F1500 = Utility Air Applications
FL1500 = Low-Pressure Breathing Air Applications
FH1500 = High-Pressure Breathing Air Cascade Systems
 for example: EFL1514-17-18=Electric Rewind, Low-Pressure Breathing Air.

5. Add 2-1/2" to "E" dim and 1/2" to "G" dim with Assy "C" Roller installed in top wind (TR) position.

6. Manual rewind available in RT or LB configurations only.

7. Be sure to check dimensions and weights prior to ordering.

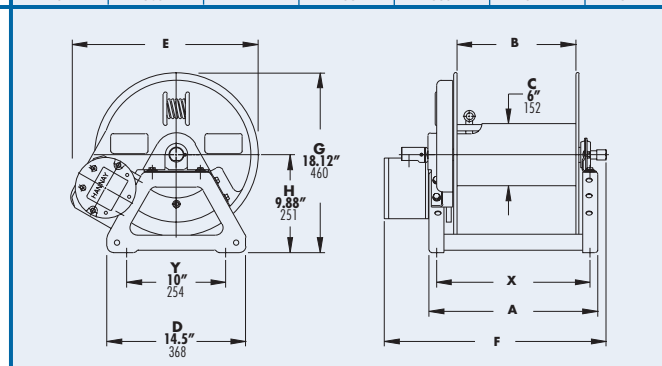
8. Some roller options may prohibit the use of our molded chain guard

NOTICE: A Flexible Connector must be used between the inlet pipe and the inlet swivel joint.

*When shipped as a parcel package (via FedEx or UPS Ground)

**Stainless steel required for breathing air applications.

***x,y indicate mounting holes



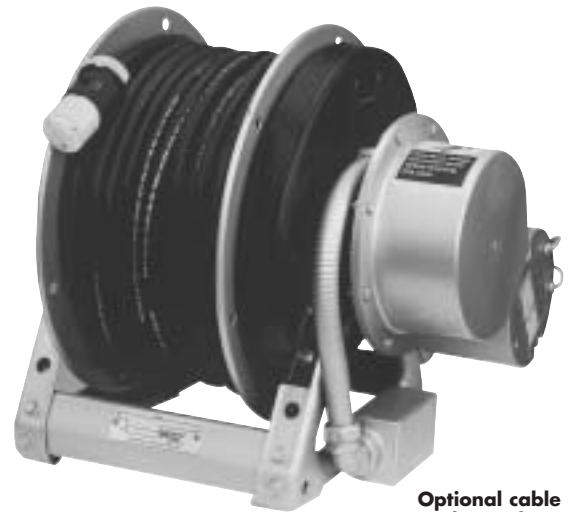
Optional External Mounting Brackets part no. 9906.0025 Add 2-1/2" to the X dimension shown in the chart.

CR1600

FOR ON-SITE USE

To handle live electric cable.

- Choose removable crank rewind or chain & sprocket drive powered by an electric or compressed air motor.
- Adjustable cam-lock brake on crank rewind models.
- 3 conductor 45 amp collector assembly w/ #8 gauge wiring.
- Consult factory for additional conductors available at extra cost.
- Rollers and roller mounting brackets are accessory items. Specify roller position.
- Standard finish is oven-cured enamel. Polished stainless steel discs and sprocket with chrome frame at extra cost.



Optional cable package shown

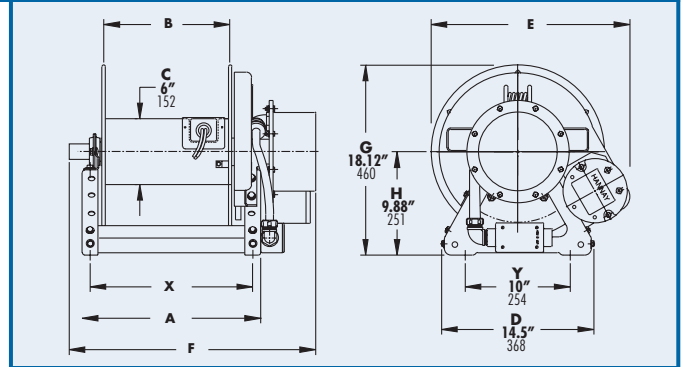
Parts Drawing – ISO 76

Model Number	Cable Capacity of Reel feet m. NOTE 1 inch = 25.4 mm					Approx. Weight Crank Rewind lb. kg.		Reel Dimensions*** inches mm.						
	GA./NO. OF CONDUCTORS					NET	SHIP	A	B	E CRANK	E POWER	F CRANK	F POWER	X
	14/3	12/3	10/3	12/4	10/4									
For Power Rewind See Note 3	O.D. (in)	.530	.600	.690	.670	.750								
	O.D. (mm)	14	15	18	17	19								
CR1614-17-18	225 69	175 53	100 30	100 30	100 30	30 14	50* 23	11 279	6 152	16.5 419	19 483	21.75 552	17.5 445	9.5 241
CR1616-17-18	300 91	200 61	150 46	150 46	150 46	32 15	50* 23	13 330	8 203	16.5 419	19 483	23.75 603	19.5 495	11.5 292
CR1618-17-18	– –	275 84	200 61	200 61	200 61	33 15	50* 23	15 381	10 254	16.5 419	19 483	25.75 654	21.5 546	13.5 343
CR1620-17-18	– –	350 107	250 76	250 76	225 69	34 15	50* 23	17 432	12 305	16.5 419	19 483	27.75 705	23.5 597	15.5 394
CR1622-17-18	– –	400 122	300 91	300 91	275 84	35 16	51* 23	19 483	14 356	16.5 419	19 483	29.75 756	25.5 648	17.5 445

Notes:

- Specifications subject to change.
1. Upon request, reels can be supplied with drum lengths other than shown and with disc sizes in other diameters.
 2. Weights shown in chart are for manual crank rewind models. Add these amounts for power rewind models.

	Net (lbs.)	Ship (lbs.)	Net (kg.)	Ship (kg.)
Electric	18	18	8.2	8.2
Air	15	15	6.8	6.8
 3. When ordering power rewind models, prefix model number with:
 - A = Air Rewind E = Electric Rewind
 - (Air rewind reels are supplied with control valve and hose; 12v and 24v DC rewind reels are supplied with switch and solenoid.)
 4. For reels with 4 cond. 45 amp collector assy's, add "2" to "F" dimension.
 5. Add 2-1/2" to "E" dim and 1/2" to "G" dim with Assy "C" Roller installed in top wind (TR) position.
 6. **Be sure to check dimensions and weights prior to ordering.**
 7. Some roller options may prohibit the use of our molded chain guard.
- *When shipped as a parcel package (via FedEx or UPS ground - less cable).
 ***x,y indicate mounting holes



Optional External Mounting Brackets part no. 9906.0025
 Add 2-1/2" to the X dimension shown in the chart.

Cable Selections

Power/Control Cable

Wire Size (AWG)/ Conductors	Area (Per Conductor)	
	Circ. mils	sq. mm
14/3	4100	2.1
12/3 or 12/4	6500	3.3
10/3 or 10/4	10,500	5.3

Connector Options

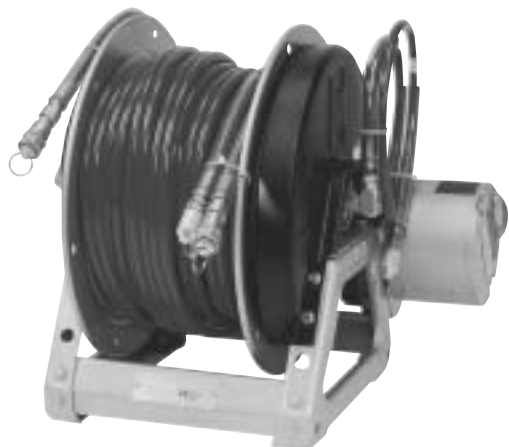
- Straight Blade (3 or 4 blade available)
 - Twist Lock (3 or 4 blade available)
- Straight blade or twist lock connectors and plugs can be supplied.
Be sure to specify amperage, voltage, and NEMA designation.

F2000

FOR ALL POWER RESCUE TOOLS

To handle dual hydraulic 1/4" I.D. hose.

- Choose manual disc rewind or chain and sprocket drive powered by an electric or compressed air motor.
- Adjustable cam-lock brake on disc rewind models.
- 90° swivel joints with 1/4" female NPT threads.
- Rescue tool manufacturer must be specified to determine threads required and to determine packing material required.
- Rollers and roller mounting brackets are accessory items. Specify roller position.
- Pressures to 10,500 psi (724 bar)
- Temperatures from -20° F to +225° F (-29° C to +107° C).
- Standard finish is oven-cured enamel. Polished stainless steel discs and sprocket with chrome frame are recommended for phosphate ester oil.



Optional hose package shown



Carrying handles extra cost. (Add 2 inches to G dimension)

Parts Drawing – ISO 101

Model Number	Hose Capacity of Reel feet m.		Approx. Weight Disc Rewind lb. kg.		Reel Dimensions*** inches mm.						
	I.D. (in) I.D. (mm)	1/4" 6	NET	SHIP	A	B	E DISC	E POWER	F DISC	F POWER	X
For Power Rewind See Note 3	NOTE 1 inch = 25.4 mm										
	O.D. (in) O.D. (mm)	.53 13.5									
F2016-17-18		2/100 2/31	32 15	40* 18	13 330	8 203	16.5 419	19 483	17.5 445	20.5 521	11.5 292
F2020-17-18		2/200 2/61	34 15	42* 19	17 432	12 305	16.5 419	19 483	21.5 546	24.5 622	15.5 394

Notes:

Specifications subject to change.
1. Upon request, reels can be supplied with drum lengths other than shown and with disc sizes in other diameters.

2. Weights (lbs.) shown in chart are for manual rewind models. Add these amounts for power rewind models.

	Net (lbs.)	Ship (lbs.)	Net (kg.)	Ship (kg.)
Electric	18	18	8.2	8.2
Air	15	15	6.8	6.8

3. When ordering power rewind models, prefix model number with:

A = Air Rewind E = Electric Rewind

(Air rewind reels are supplied with control valve and hose;

12v and 24v DC rewind reels are supplied with switch and solenoid.)

4. Add 2-1/2" to "E" dim and 1/2" to "G" dim with Assy "C" Roller installed in top wind (TR) position.

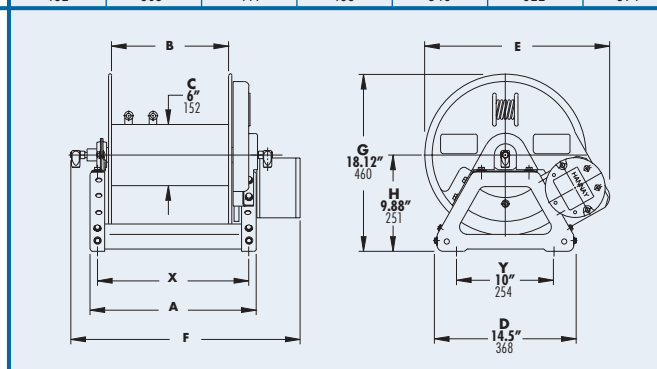
5. Be sure to check dimensions and weights prior to ordering.

6. Some roller options may prohibit the use of our molded chain guard.

NOTICE: A Flexible Connector must be used between the inlet pipe and the inlet swivel joint.

*When shipped as a parcel package (via FedEx or UPS Ground)

***x,y indicate mounting holes



Optional External Mounting Brackets part no. 9906.0025 Add 2-1/2" to the X dimension shown in the chart.

EF2200

FOR CORE™ RESCUE TOOLS

To handle hydraulic Holmatro CORE Technology™ coaxial twin hose.

- Lighter weight hose and single fitting connection when compared with traditional rescue tool hose.
- Chain and sprocket drive powered by an electric motor.
- Adjustable spring drag brake standard on all models.
- CORE Technology™ swivel joint inlet and fluid path.
- Optional factory-installed 4-way roller guide available.
- Pressures to 10,500 psi (724 bar).
- Temperatures from -30°F to +225°F (-34°C to +107°C).
- Divider disc separates hose from adapter block outlet.
- Standard finish is oven-cured enamel. Polished stainless steel discs & sprocket with chrome frame available.



Left Top Shown



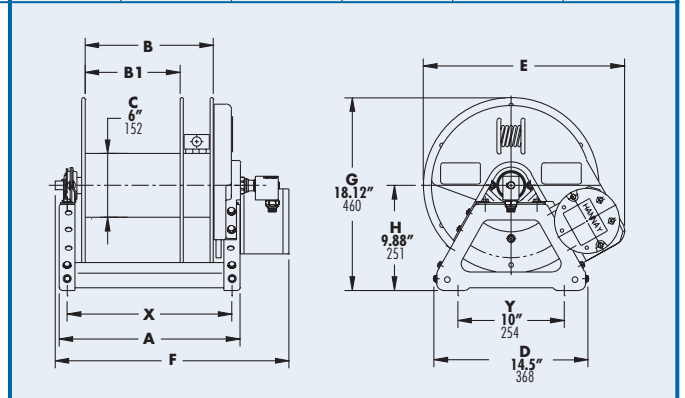
Optional Roller Assembly C2

Parts Drawing – ISO 217

Model Number	Hose Capacity of Reel		Approx. Weight		Reel Dimensions****					
	feet m.		lb. kg.		inches mm.					
	NOTE 1 inch = 25.4 mm									
	CORE Technology™ Coaxial Hose		NET	SHIP	A	B	B1	E POWER	F POWER	X
	O.D. (in) O.D. (mm)	7/8" 22								
EF2220-17-18		1/100 1/31	89 40	124 56	17 432	12 305	9 229	19 483	21.62 550	15.5 394

Notes:

- Specifications subject to change.
1. Electric rewind models available in either 12v or 24v DC. Reels supplied with switch and solenoid.
 2. Add 2-1/2" to 'E' dimension and 1/2" to 'G' dimension with Assembly "C2" Roller installed in top wind position.
 3. **Be sure to check all dimensions and weights prior to ordering. Must specify right or left-hand configurations.**
 4. Above reels cannot be shipped via UPS or FedEx Ground.
 5. Some roller options may prohibit the use of our molded chain guard.
- ***x,y indicate mounting holes



Optional External Mounting Brackets part no. 9906.0025 Add 2-1/2" to the X dimension shown in the chart.

FN700

SPRING REWIND REELS FOR UTILITY OR BREATHING AIR HOSE

To handle 3/16" through 1/2" I.D. hose.

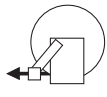


Standard Configuration Shown

Optional Hose Package

- Heavy-duty spring motor.
- Non sparking ratchet assembly.
- Declutching arbor.
- 90° full flow swivel joint with 1/2" female NPT threads.
- Outlet is 1/2" female NPT threads.
- Consult factory for other sizes and/or threads.
- FN and FLN700 reels pressures to 3000 psi (207 bar).
- FHN700 reels pressures up to 6000 psi (414 bar).
- Temperatures from +20° F to +400° F (-7° C to +204° C).
- Consult factory for other pressures and temperatures.
- Supplied with a 4-way roller assembly. Roller position must be specified.
- Hose stop should be used.

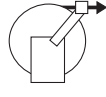
Roller Positions Available



SR (STD)



VR (OPT)



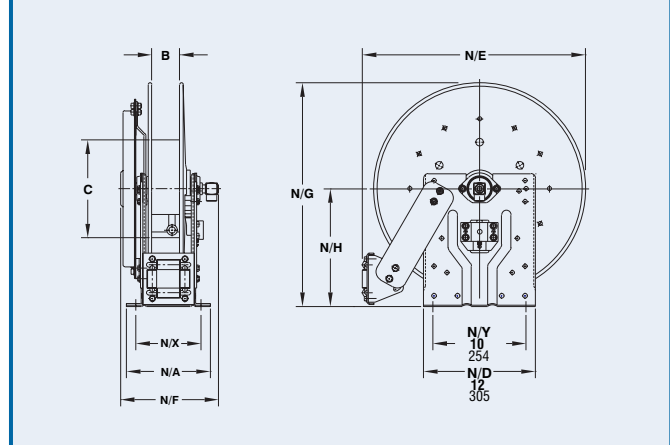
TR (OPT)

Parts Drawing – ISO 79

Model Number	Hose Capacity of Reel					Approx. Weight		Roller Assy. Supplied on Std. Models	Reel Dimensions							
	feet m.					lb.	kg.		inches mm.							
	I.D. (in) I.D. (mm)	3/16" 5	1/4" 6	3/8" 10	1/2" 13	NET	SHIP		N/A	B	C	N/E	N/F	N/G	N/H	N/X
FN716-14-16C		25 8	25 8	30 9	25 8	52 24	87* 39	N204	10 254	4 102	8 203	17.62 448	13 330	16.25 413	9.12 232	8 203
FN716-16-17C		30 9	35 11	35 11	30 9	55 25	90* 41	N204	10 254	4 102	10.5 267	18.5 470	13 330	17 432	9.12 232	8 203
FN716-19-20J		35 11	50 15	50 15	50 15	64 29	99* 45	N204	10 254	4 102	10.5 267	20.75 527	13 330	20 508	10.62 270	8 203
FN715-23-24J		75 23	75 23	75 23	50 15	79 36	114* 52	N203	9 229	3 76	15.5 394	23.75 603	12 305	24 610	12.62 321	7 178
FN716-23-24G		100 30	100 30	100 30	65 20	94 43	129* 59	N204	10 254	4 102	15.5 394	23.75 603	13 330	24 610	12.62 321	8 203
FN718-25-26G		-	-	-	100 30	96 44	131 59	N206	12 305	6 152	15.5 394	25.25 641	15 381	26 660	13.62 354	10 254

Notes:

- Specifications subject to change.
1. Reel models and capacities shown are for standard drag applications; for vertical lift or constant tension applications consult factory.
 2. Other sizes, from standard components, available on request.
 3. Model Designations
 - FN = Utility Air Applications.
 - FLN = Low Pressure Breathing Air applications.
 - FHN = High Pressure Breathing Air Systems (6000 psi).
 For example: **FHN 716-14-16C** - is a high pressure breathing air reel.
 4. Be sure to check dimensions and weights prior to ordering.
- NOTICE:** A Flexible Connector must be used between the inlet pipe and the inlet swivel joint.
- *When shipped as a parcel package (via Fed-Ex or UPS Ground)



CR16-14-16

PORTABLE ELECTRIC CABLE REELS

- Compact, lightweight.
- Rugged construction.
- Large capacity.
- 3-conductor collector ring assembly.
- 6-foot power source lead of 12/3 cable.
- 15 amp straight blade plug (15-amp or 20-amp twist lock optional).
- Adjustable friction brake.
- Permanent crank rewind handle.



Optional 15-amp 3-prong straight blade receptacle recessed in drum.
Part No. 9955.0090

Parts Drawing – ISO 156

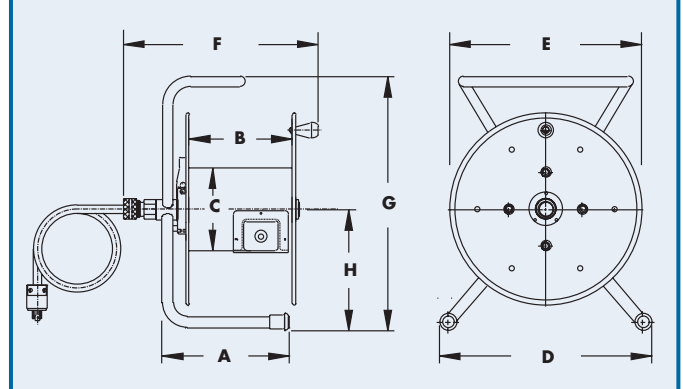
Model Number	Cable Capacity of Reel				Approx. Weight		Reel Dimensions							
	feet m.				lb.	kg.	inches mm.							
	GA./NO. OF CONDUCTORS				NET	SHIP	A	B	C	D	E	F	G	H
	O.D. (in)	.39	.53	.60										
	O.D. (mm)	10	13	15										
CR16-14-16		400	200	150	24	30*	9.25	7.5	6	15.5	14	14.5	18.5	8.88
		122	61	46	11	14	235	190	152	394	356	368	470	226

Notes:

Specifications subject to change.

1. Be sure to check dimensions and weights prior to ordering.

*When shipped as a parcel package (via FedEx or UPS Ground)



Hannay Reels Cut Response Time, Increase Safety

In rescue operations, response speed can save lives because a few seconds lost can make all the difference. Emergency responders cannot waste any time fighting with hose or power cables. Rescue reels are vital for haz-mat situations, vehicular extrications, at-the-scene emergencies, and breathing and utility air applications. In fact, over the last five to six years, rescue reel production has increased significantly as municipalities have demanded that more fire departments have rescue, first aid, and ambulance capabilities.

Hannay engineers have designed the Rescue Series to help rescue squads respond to emergencies quickly, safely, and efficiently. The series features the F1500, ideal for utility air or breathing air; the CR1600, which handles live electric cable and is invaluable when a continuous source of power is needed; and the F2000 dual-hose reel, unsurpassed in rescue situations that require hydraulic hose for power tools. For years, rescue squads have come to depend on Hannay reels for their reliability, ease of use, and long life.



Firefighting Reels catalog also available.



Family owned and operated since 1933, Hannay Reels is a leader in both OEM and aftermarket applications. Hannay offers thousands of standard hose reel and cable reel models, as well as unmatched custom capabilities. We can easily and affordably customize a reel to meet your exact specifications – built to last, delivered fast. Additional catalogs are available through your local Hannay Reels dealer or online at www.hannay.com.



553 State Route 143 • Westerlo, New York 12193-0159
Toll Free Phone: 1-877-GO-REELS • Toll Free Fax: 1-800-REELING

E-mail: reels@hannay.com

Intl. Phone: 1-518-797-3791 • Intl. Fax: 1-518-797-3259

www.hannay.com



MADE IN U.S.A.