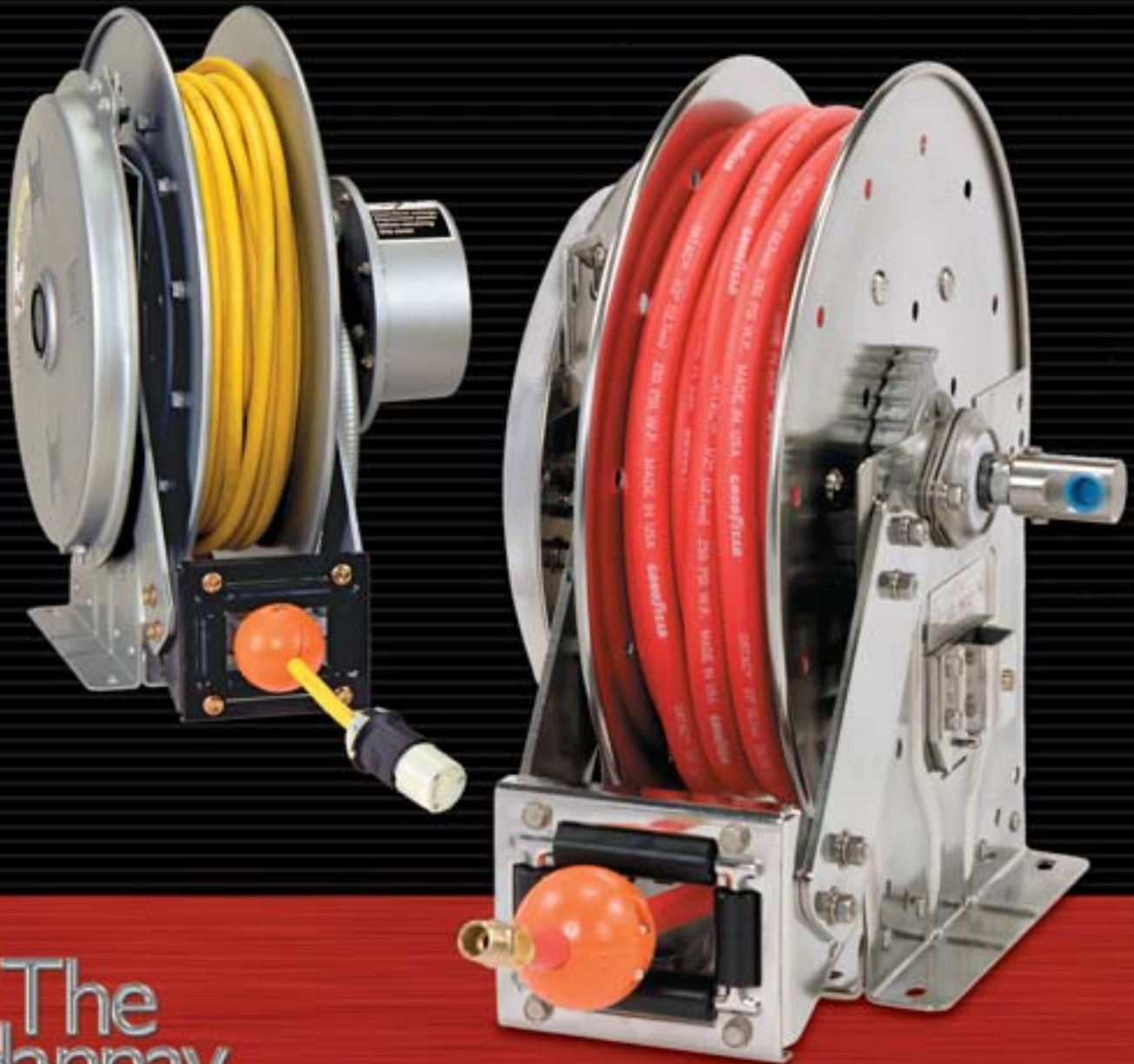


FAMILY OWNED AND OPERATED SINCE 1933



Reference Guide



The
Hannay
Way

A Sampling of some of our Popular Reels — we make
Thousands of Standard and Custom Models

www.hannay.com

Pride in workmanship • Reels built to order • Consistent quality • Service with integrity • Value for your dollar

SPRING REWIND REELS

Series: N500, N700, N800, 900
Hose Capacity: 1/4" – 1-1/2" I.D.
Hose Length: to 100 feet
Pressure Rating: to 10,000 psi
Catalog Number: H-0308-H

Use for:

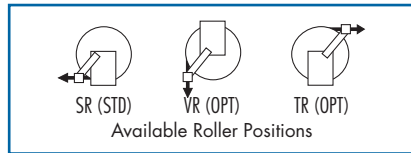
- Air/ Water
- Chassis Grease
- Washdown
- Lubrication
- Hydraulics
- Assembly Operations
- Air Tools
- Repair and Maintenance
- Fuel Dispensing
- Waste Oil Evacuation
- Bulk Transfer
- Suction Discharge
- General Industrial Applications



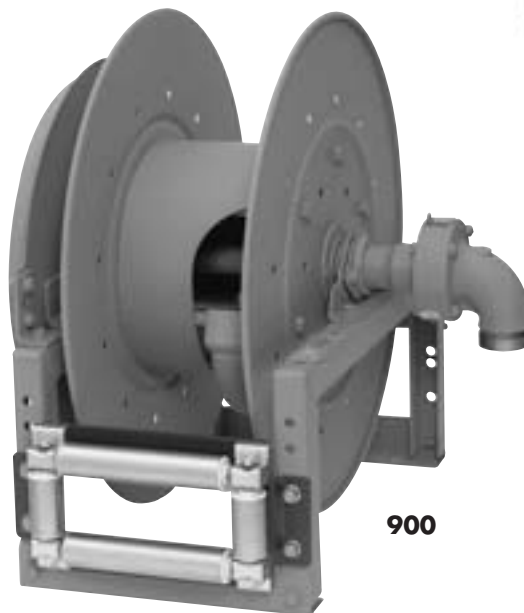
N700



N500

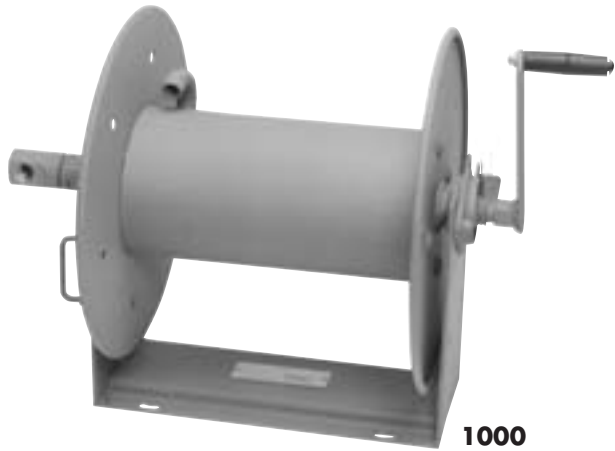


N800



900

MANUAL OR POWER REWIND REELS



1000

Series:

**1000, 1500, 1800, 3000,
3500, 4000, 6000, 7500,
8000, 9000**

Hose Capacity:

1/4" – 3" I.D.

Hose Length:

to 500 feet

Pressure Rating:

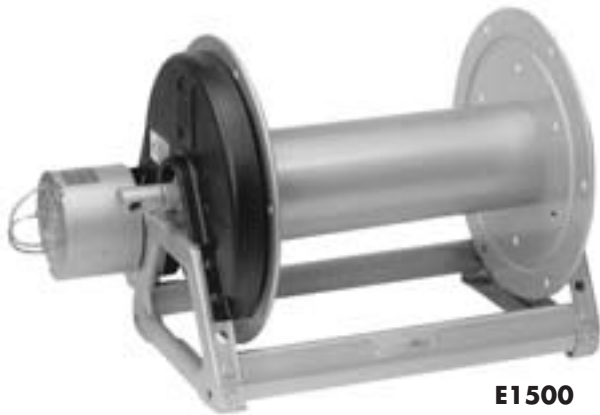
to 3,000 psi

Catalog Number:

H-0308-H

Use for:

- Pressure Washing
- Spray Operations
- Washdown
- Air Compressors
- Lawn Care
- Pest Control
- Agriculture
- Steam Cleaning
- Fuel Dispensing
- Fire Protection
- Water Supply
- Chemical Transfer
- Hydraulics
- Sewer Cleaning



E1500



3500



EP6000



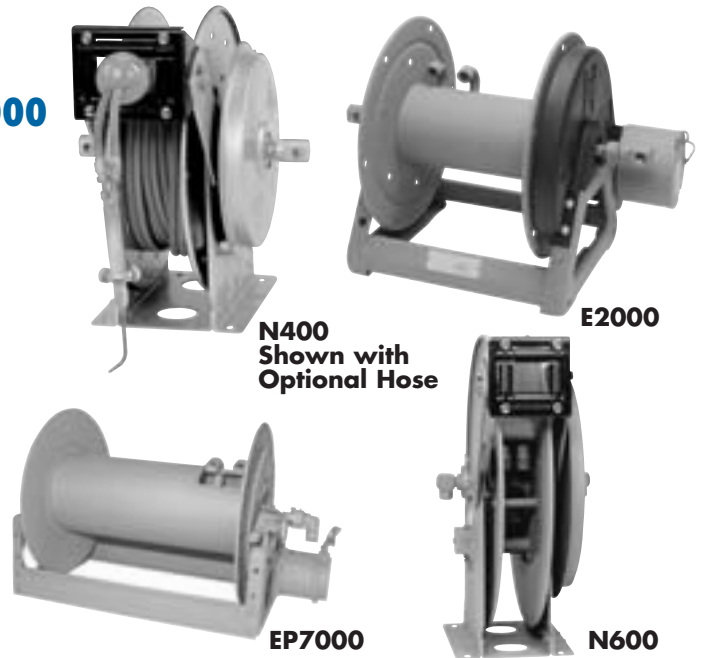
EP9000
Optional Auxiliary Rewind Shown

DUAL HOSE REELS

Series: N400, N600, 2000, 7000
Hose Capacity: 1/4" – 1" I.D.
Hose Length: Twin 350 feet
Pressure Rating: to 3,000 psi
Catalog Number: H-0308-H,
 (N600, 2000 & 7000)
 H-0408-W
 (N400 Welding Reel)

Use for:

- Oxygen / Acetylene Welding
- Air / Water
- Hydraulics
- Paint Spraying
- Dual Agents

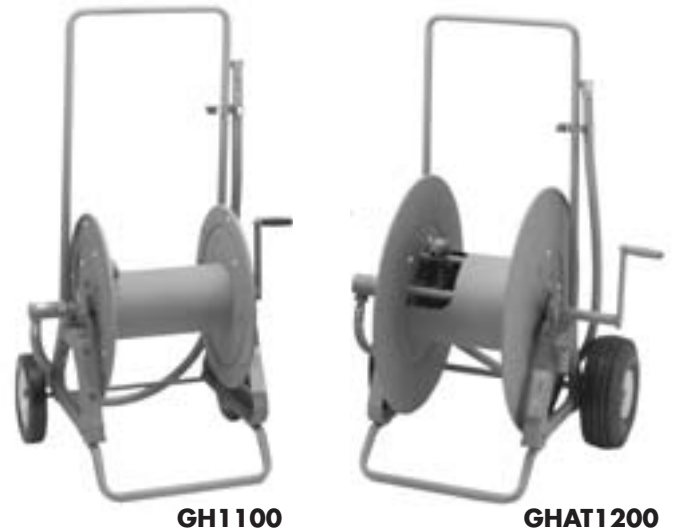


PORTABLE REELS

Series: GH1100, GHAT1200
Hose Capacity: 3/8" – 1" I.D.
Hose Length: to 350 feet
Pressure Rating: to 3,000 psi
Catalog Number: H-9421-POR

Use for:

- Grounds Maintenance
- Industrial Maintenance
- Construction
- Agriculture
- Restaurants



PRESSURE WASH REELS

Series: PW-2
Hose Capacity: 3/8"
Hose Length: to 150 feet
Pressure Rating: to 4,000 psi
Catalog Number: H-9708-PW

Use for:

- Pressure Washing
- Steam Cleaning
- Washdown
- Spray Applications



PORTABLE REELS



C-16-10-11

Series: C, CR, LC, 1300
Cable Capacity: 16/3 to 12/3
Cable Length: to 650 feet
Catalog Number: H-9421-POR

Use for:

- Broadcast Cable
- Extension Cable
- Rope
- Power Tools
- Lights



CR16-14-16



AT 1300
Shown with optional cable

LIVE CABLE REELS

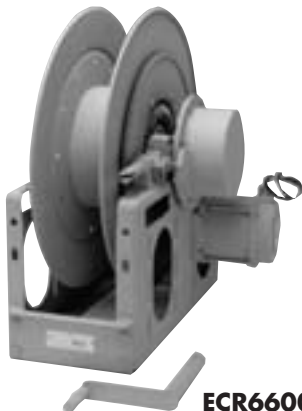


ECR1600
Shown with Optional Cable

Series: CR, ECR
Cable Capacity: 14/3 to 8/3
Cable Length: to 500 feet
Catalog Number: H-0507-C

Use for:

- Live Electric Cable
- Power Tools
- Machinery
- Generator Lines
- Lights



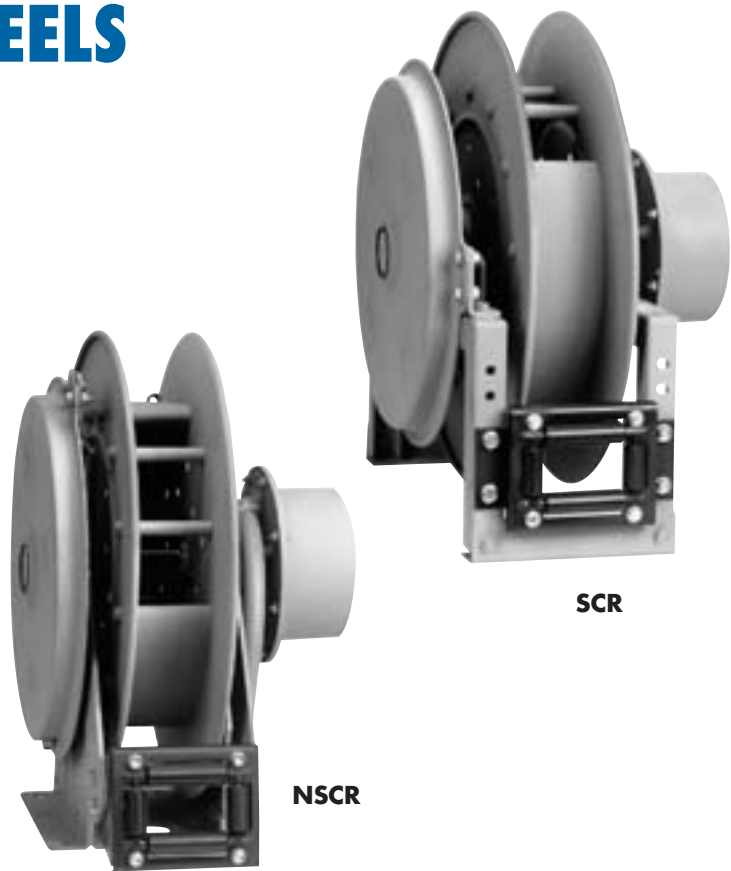
ECR6600

SPRING REWIND REELS

Series: SCR, NSCR
Cable Capacity: 14/3 to 8/3
Cable Length: to 120 feet
Catalog Number: H-0507-C

Use for:

- Live Electric Cable
- Power Tools
- Lights
- Machinery
- Generator Lines



GROUNDING REELS

Series: SGCR, HGR
Cable Length: to 200 feet
Catalog Number: H-9705-GR
 H-9454-SG

Use for:

- Vehicle/Equipment Grounding

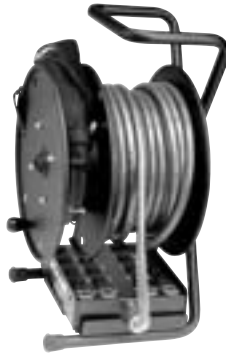


HGR
 Shown with Stainless Steel Construction

AUDIO/VIDEO REELS



AV-2
Cable not supplied



AVX100
Cable not supplied



AVC1500



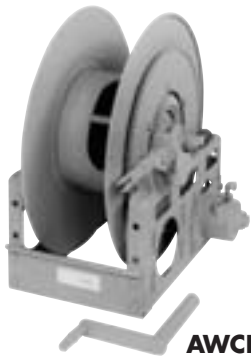
AVCQ
has removable
spool

Series: AV, AVC, AVX
Cable Capacity: .245" to .67"
Cable Length: to 800 feet
Catalog Number: H-0508-AV

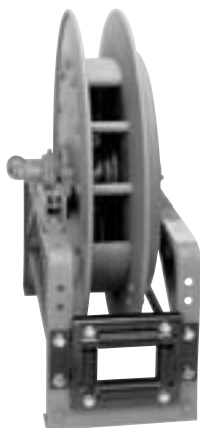
Use for:

- Production & Recording Facilities
- Television & Radio Stations
- Live Events & Concerts
- Mobile Broadcasting Units
- Satellite & Cable Companies

WELDING CABLE REELS



AWCR



SWCR



TWCR



WCR 11-17-19

Series: WCR, AWCR, EWCR, SWCR, TWCR

Portable models available
Cable Capacity: 4/0 to #2
Cable Length: to 300 feet
Catalog Number: H-0408-W

Use for:

- Arc Welders
- Grounding
- Maintenance & Repair
- Industrial Applications



Family owned and operated since 1933, Hannay Reels is a leader in both OEM and aftermarket applications. Hannay offers thousands of standard hose reel and cable reel models, as well as unmatched custom capabilities. We can easily and affordably customize a reel to meet your exact specifications – built to last, delivered fast. Additional catalogs are available through your local Hannay Reels dealer or online at www.hannay.com.

SPECIAL PURPOSE & CUSTOM REELS

When a specific handling problem requires a completely different type of reel, Hannay offers the design experience and manufacturing flexibility unique in its field. We have custom designed and built reels to handle hose and cable in limited space and in special environments ... reels to handle exotic fuels and dry chemicals ... reels with unique drive systems and reels to operate automatically **... more custom built reels than any other manufacturer.**

Because a reel is basically a spool and frame equipped with piping to permit continuous fluid flow, reels that handle hose for special applications can often be assembled from these standard components. In this way, additional costs for custom engineering are eliminated and only modest additional costs are incurred for special fabrication.

When you need a custom built reel, our staff is ready to work with you in developing the best possible reel for the job.

ORDERING & QUOTATIONS

To supply proper information for orders and quotations, see order worksheet found in the Ordering & Accessory Guide H-0415-OA.

Requests for quotations for custom reels and spools should include:

- Complete specifications of hose cable size, length and weight
- Bending radius of hose or cable
- Type of product to be handled
- Hose inlet and outlet type
- Type of rewind mechanism
- Complete description of how the reel is to be installed and used
- Specification of any accessories



553 State Route 143 • Westerlo, New York 12193-0159
Toll Free Phone: 1-877-GO REELS • Toll Free Fax: 1-800-REELING

Intl. Phone: 1-518-797-3791 • Intl. Fax: 1-518-797-3259

www.hannay.com



MADE IN U.S.A.