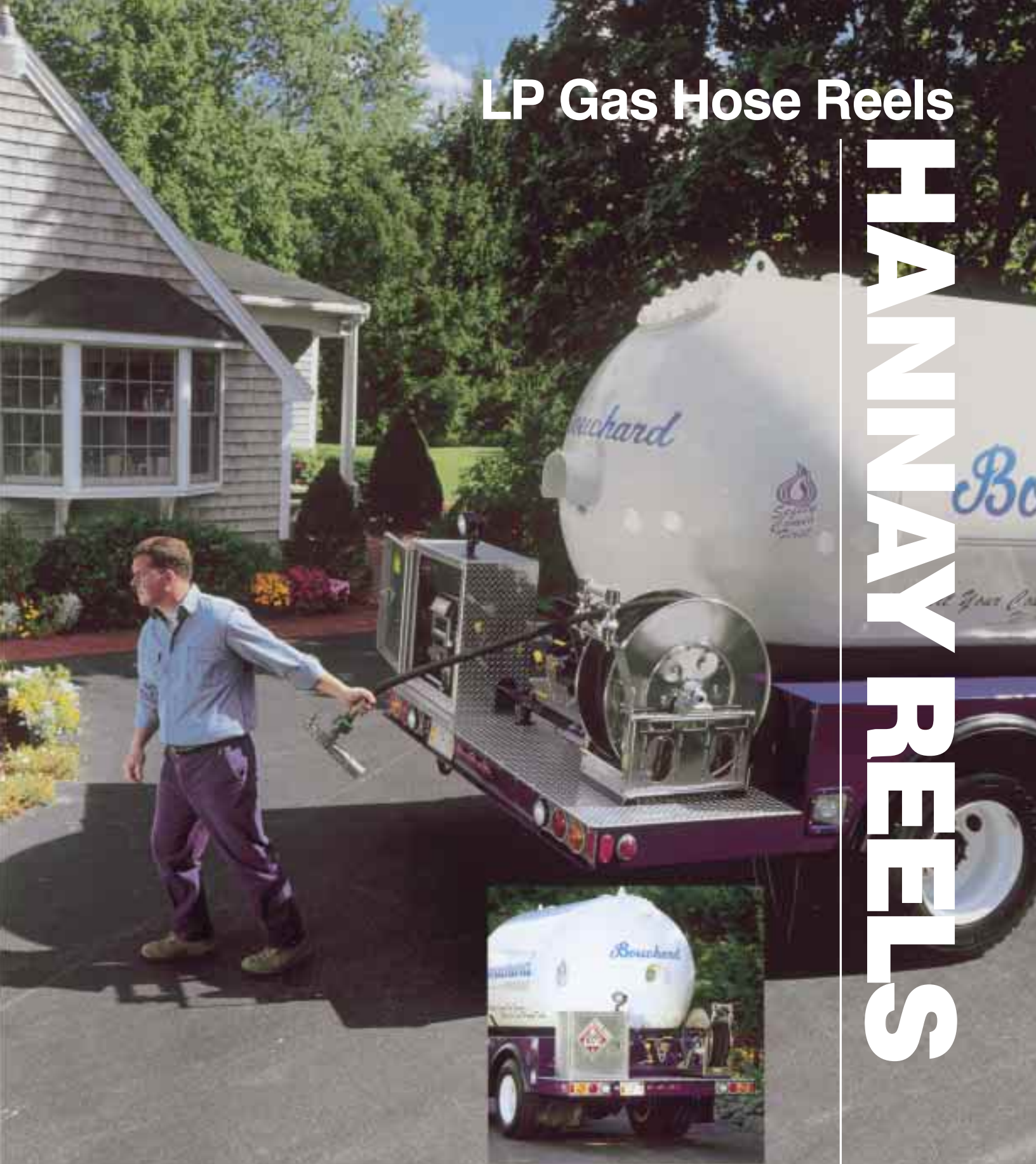


LP Gas Hose Reels

HANNAY REELS



For use in:

- Home Delivery Trucks
- Dispensing Systems
- Fueling Vehicles
- Filling Stationary and Portable Cylinders

H-9449-LP
Rev.2

Note to Designers and Engineers:

The reels shown in this catalog are the standard of the industry.

These models reflect various installation and performance requirements.

The high quality of our standard steel construction is only the beginning.

Hannay Reels offers any size configuration to fit a defined space, and we construct many models of reels of aluminum or stainless steel. Specifically, we use 5000 and 6000 Series aluminum and 304 stainless

steel in the manufacture of frames, discs, drums and internals as well as other structural components. This type of construction eliminates the need for maintenance repainting and part replacement due to rust or corrosion.

Please consult factory on any fuel handling questions.

For the many accessories and components available on our standard reel models such as roller guides, switches, brakes and locks, etc., please refer to our Ordering Guide & Accessory Catalog H-9412-OA.

Series PB

Manual or Power Rewind Reels To handle single 1" through 1-1/2" I.D. hose.

Series PB are explosion-proof reels that are available in either power or manual rewind. These reels are used singly or in pairs for liquid and for vapor return hoses.

Rewind:

Choose gear-driven crank rewind or chain and sprocket drive powered by an electric, hydraulic or compressed air motor. Gear-driven mechanism with pinion shaft brake can be specified as auxiliary crank rewind on power rewind reels, at extra cost.

Brakes & Locks:

Crank rewind reels will be supplied with pinion brake and power rewind reels with a strap brake. Other brake and locking devices may be specified. (See Ordering Guide & Accessory Catalog).

Inlet:

Standard inlet is 90° ball bearing swivel joint with 1-1/2" female NPT threads.

Outlet:

Standard outlet is a flanged riser with 1-1/2" female NPT threads. Standard inlet, outlet riser, and hub assembly are steel.

Other sizes and/or threads can be furnished and must be specified.

Optional Rollers:

Rollers may be purchased as accessory items. Specify roller position when ordering. Mounting brackets are necessary (See Ordering Guide & Accessory Catalog).

Operating Pressures & Temperatures:

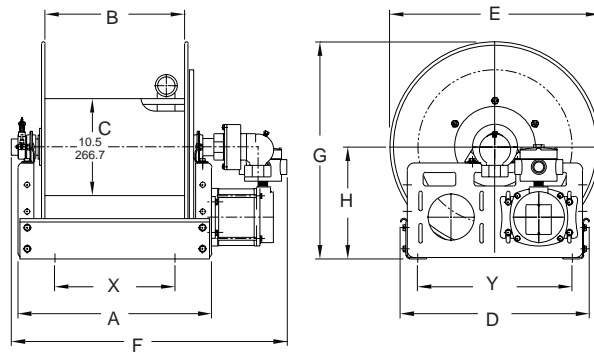
These reels operate at pressures to 363 psi (25 bar) and handle product temperatures from -40° F to +350° F (-40° C to +177° C).

Reels to operate at other pressures and temperatures can be furnished at extra cost.



Series PB
Electric Rewind Shown

Dimensions and capacities



Series EPB

BE SURE TO CHECK DIMENSIONS AND WEIGHTS PRIOR TO ORDERING.

To receive a detailed parts breakdown drawing for Series PB, request ISO 18.

Hose Capacity of Reel <u>feet</u> m.			Model Number	Reel Dimensions <u>Inches</u> mm.											Approx. Weight Crank Rewind <u>lb.</u> kg. See Note 3			
I.D. (in)	1"	1 1/2"	For Power Rewind See Note 4	A	B	D	E	F	F	F	F	G	H	X	Y	NET	SHIP	
I.D. (mm)	25	38		CRANK	ELEC.	AIR	HYD.											
O.D. (in)	1.5"	2.16"		O.D. (mm)														
	125	50	PB24-23-24	21	15.5	20.5	22.75	28	29.25	28.75	28.75	23.5	12.12	13	16.75	102	144	
	38	15		533	394	521	578	711	743	730	730	597	308	330	425	46	65	
	225	75	PB30-23-24	27.5	22	20.5	22.75	34.5	35.75	35.25	35.25	23.5	12.12	19.5	16.75	115	157	
	69	23		699	559	521	578	876	908	895	895	597	308	495	425	52	71	
	150	75	PB22-25-26	19	13.5	25.5	24.75	26	27.25	26.75	26.75	27.88	15.5	11	21.75	110	152	
	46	23		483	343	648	629	660	692	679	679	708	394	279	552	50	69	
	200	110	PB28-25-26	25.5	20	25.5	24.75	32.5	33.75	33.25	33.25	27.88	15.5	17.5	21.75	123	165	
	61	34		648	508	648	629	826	857	845	845	708	394	445	552	56	75	
	250	100	PB22-30-31	19	13.5	25.5	28.75	26	27.25	26.75	26.75	29.88	15.5	11	21.75	118	168	
	76	30		483	343	648	730	660	692	679	679	759	394	279	552	54	76	
	200	75	PB18-33-34	14.5	9.5	31.5	31.75	22	23.75	22.75	22.75	33.62	17.75	7	27.75	117	167	
	61	23		368	241	800	806	559	603	578	578	854	451	178	705	53	76	

Specifications subject to change.

Notes:

- Upon request, reels can be supplied with drum lengths other than shown and with disc sizes in other diameters.
- Dimensions shown for reels up to and including 30-31 disc size reflect pressed frames. All others are channel frames.
- Weights shown in chart are for crank rewind models. ADD these amounts for power rewind models:

	Net (lbs.)	Ship (lbs.)	Net (kg.)	Ship (kg.)
Electric	40	40	18.1	18.1
Hydraulic	20	20	9.1	9.1
Air	20	20	9.1	9.1

- When ordering power rewind models, prefix model number with:

A = Air Rewind—Supplied with control valve and hose.
 E = Explosion Proof Electric Rewind (1/2 HP)—Supplied with explosion proof switch, solenoid, and junction box.
 HD = Hydraulic Rewind—Not supplied with control valve.

Power Rewind Reels with Top-Mounted Guidemaster

To handle single 1" or 1-1/2" I.D. hose.

Series PBGMT hose reels are particularly suitable for open-deck or compartment mounting, especially when recovery is at an angle other than straight off the reel.

Rewind:

Choose chain and sprocket drive powered by an electric, hydraulic, or compressed air motor. Gear-driven mechanism with pinion shaft brake can be specified as auxiliary crank rewind on power rewind reels, at extra cost.

Brakes & Locks:

These reels are supplied with a strap brake. Other brake and locking devices may be specified. (See Ordering Guide & Accessory Catalog).

Inlet:

Standard inlet is 90° ball bearing swivel joint with 1-1/2" female NPT threads.

Outlet:

Standard outlet is a flanged riser with 1-1/2" female NPT threads. Standard inlet, outlet riser, and hub assembly are steel.

Other sizes and/or threads can be furnished and must be specified.

Operating Pressures & Temperatures:

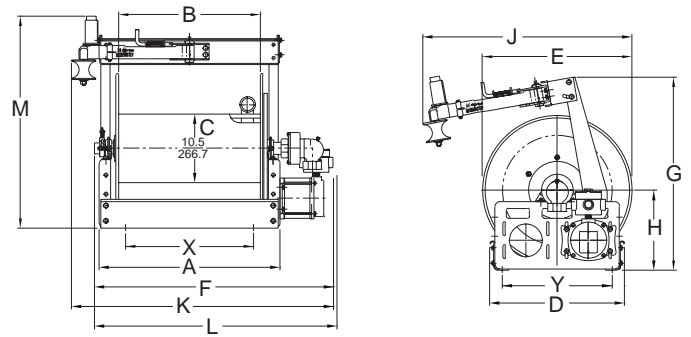
These reels operate at pressures to 363 psi (25 bar) and handle product temperatures from -40° F to +350° F (-40° C to +177° C).

Reels to operate at other pressures and temperatures can be furnished at extra cost.



Series PBGMT
Standard Configuration Shown

Dimensions and capacities



Series PBGMT

BE SURE TO CHECK DIMENSIONS AND WEIGHTS PRIOR TO ORDERING.

To receive a detailed parts breakdown drawing for Series PBGMT, request ISO 18 and ISO 195.

Hose Capacity of Reel			Model Number	Reel Dimensions														Approx. Weight		
feet m.				inches mm.														lb.	kg.	
I.D. (in)	1"	1 1/2"	For Power Rewind See Note 2	A	B	D	E	F	F	F	G	H	J	K	L	M	X	Y	NET	SHIP
I.D. (mm)	25	38		ELEC.	AIR	HYD														
O.D. (in)	1.5"	2.16"																		
	125	50	PBGMT 24-23-24	21	15.5	20.5	22.75	29.25	28.25	28.25	29.5	12.12	33	36.75	30	31.5	13	16.75	168	193
	38	15		533	394	521	578	743	718	718	749	308	838	933	762	800	330	425	76	88
	150	75	PBGMT 30-23-24	27.5	22	20.5	22.75	35.75	34.75	34.75	29.5	12.12	33	36.75	36.75	31.5	19.5	16.75	178	208
	46	23		699	559	521	578	908	883	883	749	308	838	933	933	800	495	425	81	94
	200	110	PBGMT 28-25-26	25.5	20	25.5	24.75	33.75	32.75	32.75	33	15.5	34	39	34.75	35	17.5	21.75	181	211
	61	34		648	508	648	629	857	832	832	838	394	864	991	883	889	445	552	82	96

Specifications subject to change.

Notes:

- Upon request, reels can be supplied with drum lengths other than shown and with disc sizes in other diameters.
- When ordering power rewind models, prefix model number with:
 - A = Air Rewind - Supplied with control valve and hose.
 - E = Explosion Proof Electric Rewind (1/2 HP) - Supplied with explosion proof switch, solenoid, and junction box.
 - HD = Hydraulic Rewind - Not supplied with control valve.

- Dimension J is maximum, with Guidemaster in operating position. Dimension K is maximum, with Guidemaster in traveling position opposite rewind motor, as shown in dimensional drawing. Dimension L is maximum, with Guidemaster in traveling position on same side as rewind motor.

Power Rewind Reels with Bottom-Mounted Guidemaster

To handle single 1" or 1-1/2" I.D. hose.

The Hannay Series PBGMB hose reel is designed specifically for open-deck or compartment mounting, especially when recovery is of an angle other than straight off the reel.

Rewind:

Choose chain and sprocket drive powered by an electric, hydraulic, or compressed air motor. Gear-driven mechanism with pinion shaft brake can be specified as auxiliary crank rewind on power rewind reels, at extra cost.

Brakes & Locks:

These reels are supplied with a strap brake. Other brake and locking devices may be specified. (See Ordering Guide & Accessory Catalog).

Inlet:

Standard inlet is 90° ball bearing swivel joint with 1-1/2" female NPT threads.

Outlet:

Standard outlet is a flanged riser with 1-1/2" female NPT threads. Standard inlet, outlet riser, and hub assembly are steel.

Other sizes and/or threads can be furnished and must be specified.

Rollers:

Assembly B bottom wind roller supplied as standard.

Operating Pressures & Temperatures:

These reels operate at pressures to 363 psi (25 bar) and handle product temperatures from -40° F to +350° F (-40° C to +177° C).

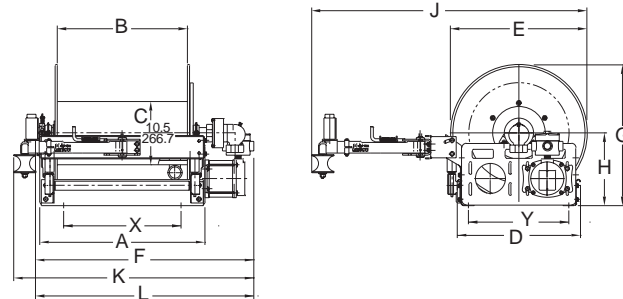
Reels to operate at other pressures and temperatures can be furnished at extra cost.



Series PBGMB

Electric Rewind Shown

Dimensions and capacities



Series EPBGM

BE SURE TO CHECK DIMENSIONS AND WEIGHTS PRIOR TO ORDERING.

To receive a detailed parts breakdown drawing for Series PBGMB, request ISO 18 and ISO 195.

Hose Capacity of Reel			Model Number	Reel Dimensions														Approx. Weight	
feet m.				inches mm.														lb. kg.	
I.D. (in)	1"	1 1/2"	For Power Rewind See Note 2	A	B	D	E	F	F	F	G	H	J	K	L	X	Y	NET	SHIP
I.D. (mm)	25	38		ELEC.	AIR	HYD													
125	50		PBGMB 24-23-24	21	15.5	20.5	22.75	29.25	28.25	28.25	23.5	12.12	49	36.75	30	13	16.75	160	185
38	15			533	394	521	578	743	718	718	597	308	1245	933	762	330	425	73	84
150	75		PBGMB 30-23-24	27.5	22	20.5	22.75	35.75	34.75	34.75	23.5	12.12	49	36.75	36.75	19.5	16.75	170	200
46	23			699	559	521	578	908	883	883	597	308	1245	933	933	495	425	77	91
200	110		PBGMB 28-25-26	25.5	20	25.5	24.75	33.75	32.75	32.75	27.88	15.5	47.75	39	34.75	17.5	21.75	191	221
61	34			648	508	648	629	857	832	832	708	394	1213	991	883	445	552	87	100
200	75		PBGMB 18-33-34	14.5	9.5	31.5	31.75	23.75	22.75	22.75	33.62	17.75	56.75	33.5	26.75	7	27.75	175	225
61	23			368	241	800	806	603	578	578	854	451	1441	851	679	178	705	79	102

Specifications subject to change.

Notes:

- Upon request, reels can be supplied with drum lengths other than shown and with disc sizes in other diameters.
- When ordering power rewind models, prefix model number with:
 - A = Air Rewind – Supplied with control valve and hose.
 - E = Explosion Proof Electric Rewind (1/2 HP) – Supplied with explosion proof switch, solenoid, and junction box.
 - HD = Hydraulic Rewind – Not supplied with control valve.

- Dimension J is maximum, with Guidemaster in operating position. Dimension K is maximum, with Guidemaster in traveling position opposite rewind motor, as shown in dimensional drawing. Dimension L is maximum, with Guidemaster in traveling position on same side as rewind motor. Maximum distance from frame of reel to outside edge of Guidemaster locked in traveling position is 11".

Power Rewind Liquid Reel with Manual Rewind Vapor Reel

To handle 1" through 1-1/2" I.D. liquid hose & 1/2" through 1" vapor hose.

Series PBM combines a power rewind reel and a geared crank rewind reel on a single frame. Each reel is supported individually. It is recommended for service which requires use of vapor hose.

Rewind:

Gear-driven crank rewind on vapor reel. Chain and sprocket drive powered by an electric, hydraulic or compressed air motor on liquid reel. Gear-driven mechanism with pinion shaft brake is standard on these reels.

Brakes & Locks:

Reels will be supplied with a pinion brake. Other locking devices may be specified (See Ordering Guide & Accessory Catalog).

Inlet:

Standard inlet is 90° ball bearing swivel joint with 1-1/2" female NPT threads. On manual rewind reel: 1" female NPT 90° ball bearing swivel joint.

Outlet:

Power rewind liquid reel standard outlet is a flanged riser with 1-1/2" female NPT threads. On manual rewind vapor reel standard riser is 1" female NPT.

Standard inlet, outlet riser, and hub assembly are steel.

Other sizes and/or threads can be furnished and must be specified.

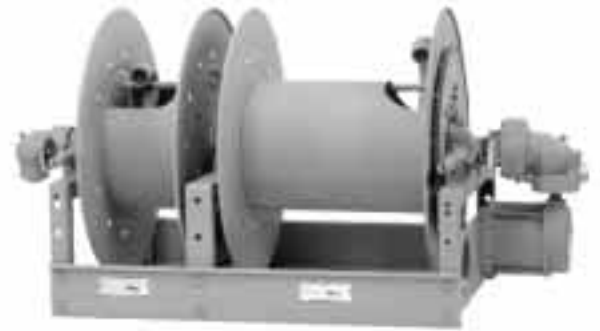
Optional Rollers:

Rollers may be purchased as accessory items. Mounting brackets are necessary. Specify roller position when ordering (See Ordering Guide & Accessory Catalog).

Operating Pressures & Temperatures:

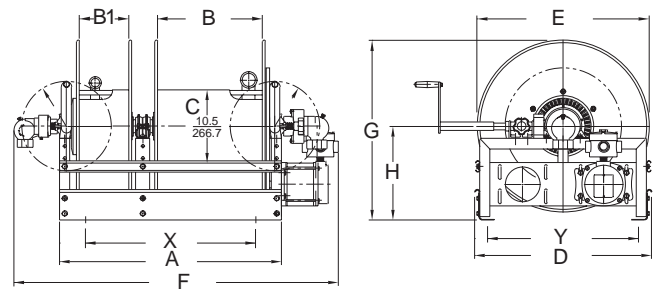
These reels operate at pressures to 363 psi (25 bar) and handle product temperatures from -40° F to +350° F (-40° C to +177° C).

Reels to operate at other pressures and temperatures can be furnished at extra cost.



Series PBM
Standard Configuration Shown

Dimensions and capacities



Series PBM

BE SURE TO CHECK DIMENSIONS AND WEIGHTS PRIOR TO ORDERING.

To receive a detailed parts breakdown drawing for Series PBM, request ISO 123.

Hose Capacity of Reel						Model Number	Reel Dimensions											Approx. Weight		
feet		m.					Inches											lb.	kg.	
Liquid Reel		Vapor Reel				For Power Rewind See Note 2	A	B	B1	D	E	F	F	F	G	H	X	Y	NET	SHIP
I.D. (in)	1" 1 1/2"	1/2"	3/4"	1"	ELEC.		AIR	HYD												
I.D. (mm)	25 38	13 19 25																		
O.D. (in)	1.5" 2.16"	.94"	1.26"	1.5"																
O.D. (mm)	38 55	24 32 38																		
	125	50	175	80	75	PBM 24-16-23-24	32	15.5	7.5	23.75	23	46.25	45.25	45.25	23.88	12.5	24.5	20	256	286
	38	15	53	24	23		813	394	191	603	584	1175	1149	1149	607	318	622	508	116	130
	150	75	175	80	75	PBM 30-16-23-24	38.5	22	7.5	23.75	23	52.75	51.75	51.75	23.88	12.5	31	20	264	294
	46	23	53	24	23		978	559	191	603	584	1340	1314	1314	607	318	787	508	120	133
	200	110	225	100	75	PBM 22-16-25-26	30	20	7.5	25.5	24.75	50.75	49.75	49.75	25.88	13.5	22.5	21.75	267	297
	61	34	69	30	23		762	508	191	648	629	1289	1264	1264	657	343	572	552	121	135

Specifications subject to change.

Notes:

1. Upon request, reels can be supplied with drum lengths other than shown and with disc sizes in other diameters.

2. When ordering power rewind models, prefix model number with:

A = Air Rewind – Supplied with control valve and hose.

E = Explosion Proof Electric Rewind (1/2 HP) – Supplied with explosion proof switch, solenoid, and junction box.

HD = Hydraulic Rewind – Not supplied with control valve.

Direct Drive Hydraulic Rewind Reels To handle single 1" through 1-1/2" I.D. hose.

The new DPB series reel offers the features of variable speed control when installed with the proper valves, and have added torque and rewind power. The smooth quiet operation of the DPB series is achieved by eliminating the use of chain and sprockets, and the associated maintenance required.

Rewind:

Direct shaft rewind powered by a hydraulic motor. Gear-driven mechanism with pinion shaft brake as auxiliary crank rewind is supplied as standard.

Brakes & Locks:

Direct drive hydraulic rewind reel will be supplied with pinion brake. Other brake and locking devices may be specified (see Ordering Guide and Accessory Catalog)

Inlet:

Standard inlet is 90° ball bearing swivel joint with 1-1/2" female NPT threads.

Outlet:

Standard outlet is a flanged riser with 1-1/2" female NPT threads. Standard inlet, outlet riser, and hub assembly are steel.

Other sizes and/or threads can be furnished and must be specified.

Optional Rollers:

Rollers may be purchased as accessory items. Specify roller position when ordering. Mounting brackets are necessary (See Ordering Guide & Accessory Catalog).

Operating Pressures & Temperatures:

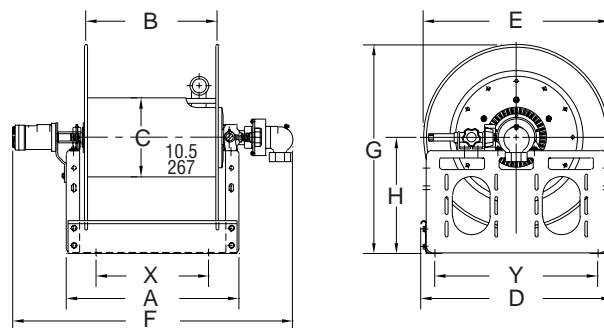
These reels operate at pressures to 363 psi (25 bar) and handle product temperatures from -40° F to +350° F (-40° C to +177° C).

Reels to operate at other pressures and temperatures can be furnished at extra cost.



Series DPB

Dimensions and capacities



Series DPB

BE SURE TO CHECK DIMENSIONS AND WEIGHTS PRIOR TO ORDERING.

Hose Capacity of Reel			Model Number	Reel Dimensions								Approx. Weight	
feet	m.			Inches								Power Rewind	
I.D. (in)	1"	1-1/2"	A	B	D	E	F	G	H	X	Y	NET	SHIP
I.D. (mm)	25	38											
O.D. (in)	1.5"	2.16"					DIRECT						
O.D. (mm)	38	55					DRIVE						
							HYD						
125	50		DPB 24-23-24	21	15.5	20.5	22.75	35.12	23.5	12.12	13	16.75	144
38	15			533	394	521	578	892	597	308	330	425	46
150	75		DPB 30-23-24	27.5	22	20.5	22.75	41.62	23.5	12.12	19.5	16.75	157
46	23			699	559	521	578	1057	597	308	495	425	52
150	75		DPB 22-25-26	19	13.5	25.5	24.75	33.12	27.88	15.5	11	21.75	110
46	23			483	343	648	629	841	708	394	279	552	50
200	110		DPB 28-25-26	25.5	20	25.5	24.75	39.62	27.88	15.5	17.5	21.75	123
61	34			648	508	648	629	1006	708	394	445	552	56
250	100		DPB 22-30-31	19	13.5	25.5	28.75	33.12	29.88	15.5	11	21.75	118
76	30			483	343	648	730	841	759	394	279	552	54
200	75		DPB 18-33-34	14.5	9.5	31.5	31.75	29.12	33.62	17.75	7	27.75	117
61	23			368	241	800	806	740	854	451	178	705	53

Specifications subject to change.

Notes:

1. Upon request, reels can be supplied with drum lengths other than shown and with disc sizes in other diameters.
2. Dimensions shown for reels up to and including 30-31 disc size reflect pressed frames. All others are channel frames.

Spring Rewind Reels

To handle 3/4" or 1" I.D. hose.

Single hose spring rewind reels are available in two frame configurations. The standard N series has a narrow frame and compact mounting base. The channel frame for heavy-duty applications is available in the 800 series and must be specified (Delete prefix N for Channel Frame).

Rewind:

A heavy-duty spring motor provides self-contained rewind power. A non sparking ratchet assembly locks the reel when the desired length of hose has been payed out. A pull on the hose unlocks the reel and the spring motor retracts the hose. A declutching arbor is provided to prevent damage from reverse winding.

Inlet:

Standard inlet is 90° ball bearing swivel joint with 1" female NPT threads.

Outlet:

Standard outlet is 1" female NPT threads.

Other sizes and/or threads can be furnished and must be specified.

Operating Pressures & Temperatures:

These reels operate at pressures to 363 psi (25 bar) and handle product temperatures from -40° F to +350° F (-40° C to +177° C).

Reels to operate at other pressures and temperatures can be furnished at extra cost.

Rollers:

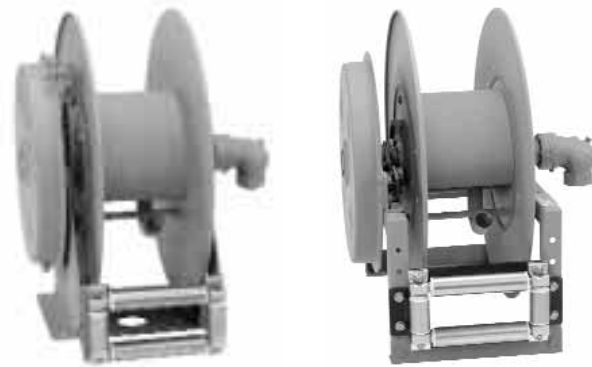
All models are supplied with a 4-way roller assembly. Roller position must be specified (See Ordering Guide & Accessory Catalog).

Hose Stop:

A hose stop should be used to prevent damage to rollers and nozzles and to permit adjustment of free hose length (See Ordering Guide & Accessory Catalog).

BE SURE TO CHECK DIMENSIONS AND WEIGHTS PRIOR TO ORDERING.

To receive a detailed parts breakdown drawing for Series PBN800, request ISO 81, for Series PB800, request ISO 42.

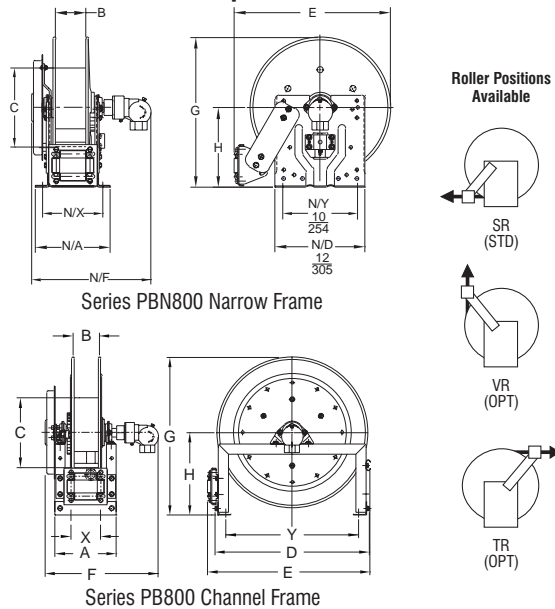


Series PBN800

Series PB800

Standard Configuration Shown

Dimensions and capacities



Hose Capacity of Reel			Model Number	Reel Dimensions																Approx. Weight		Roller Assy Supplied on Standard Models	
feet	1"	m.		inches																lb.	kg.		
I.D. (in)	3/4"		Delete prefix N for Channel Frame	A	N/A	B	C	D	E	N/E	F	N/F	G	N/G	H	N/H	N/X	X	Y	NET	SHIP		
I.D. (mm)	19	25																					
O.D. (in)	1.25"	1.5"																					
O.D. (mm)	33	40																					
25	15		PBN816-19-20J	9.25	8	4	10.5	18	19.5	20.75	17.25	15.75	19.75	20	10.38	10.62	8	4.5	15	63	98	N204	
8	5			235	203	102	267	457	495	527	438	400	502	508	264	270	203	114	381	29	44		
50	25		PBN816-23-24J	9.25	8	4	10.5	23.25	24.38	23.75	17.25	15.75	23.88	24	12.5	12.62	8	4.5	20.25	81	116	N204	
15	8			235	203	102	267	591	619	603	438	400	607	610	318	321	203	114	514	37	53		
60	35		PBN816-25-26B	9.25	8	4	10.5	25	26.12	25.25	17.25	15.75	25.88	26	13.5	13.62	8	4.5	22	96	131	N204	
18	11			235	203	102	267	635	663	641	438	400	657	660	343	346	203	114	559	44	59		
70	50		PBN818-25-26B	11.25	10	6	10.5	25	26.12	25.25	19.25	17.75	25.88	26	13.5	13.62	10	6.5	22	102	137	N206	
21	15			286	254	152	267	635	663	641	489	451	657	660	343	346	254	165	559	46	62		
75	40		PBN816-30-31-15.5G	9.25	8	4	15.5	28.5	30.5	28.75	17.25	15.75	31.88	30.5	17	16.12	8	4.5	25.5	124	159	N204	
23	12			235	203	102	394	724	775	730	438	400	810	775	432	409	203	114	648	56	72		
85	75		PB820-25-26A	13.25	-	8	10.5	25	27	-	22	-	25.88	-	13.5	-	-	8.5	22	131	166	R308	
26	23			337	-	203	267	635	686	-	559	-	657	-	343	-	-	216	559	59	75		
100	100		PB820-30-31A	13.25	-	8	15.5	28.5	30.5	-	22	-	31.38	-	17	-	-	8.5	25.5	137	172	R308	
30	30			337	-	203	394	724	775	-	559	-	797	-	432	-	-	216	648	62	78		

Specifications subject to change. Other sizes, from standard components, available on request.

Hannay will go to any length to provide you with the hose reel you need.

As the leading manufacturer of hose and cable reels, Hannay knows what you need in a reel. You need a reel that's long-lasting. Built to high standards. One that requires only minimal routine maintenance. A reel that helps you get the job done.

You need Hannay Reels.

All our reels are made to stringent specifications, so you know you're buying reels you can depend on year after year, even under the most demanding conditions. Plus, we make reels for every application and every industry. We have 2700 standard models and if one of these doesn't meet your needs, we'll work with you to design a reel that fits your specific application.

This catalog contains our most popular LP gas hose reels. For other hose reels, cable reels, or reels for specific applications, just ask and we'll send you the information you need. After all, when you deal with the reel leader, it's easier to have a reel choice.

To order Hannay Reels

Please refer to our Ordering Guide & Accessory Catalog. For more information on our 2700 standard models of hose and cable reels, please ask about specific product catalogs.

Other Hannay Catalogs available are: Aviation Refueling, Cable, Firefighting, Hose, Lube, Petroleum Delivery, Portable, Spray, Stainless, Triad Rescue, Welding and Ordering Guide & Accessory Catalog.

Rugged, reliable Hannay reels make LP gas home delivery faster, safer and more efficient.



553 State Route 143
Westerlo, NY 12193-0159
Telephone 518-797-3791
Toll Free 1-877-GO-REELS (467-3357)
FAX 1-800-REELING (733-5464) USA

OR
FAX 518-797-3259 (International)
www.hannay.com

C&T/8.5M/4/99

H-9449-LP Rev.2